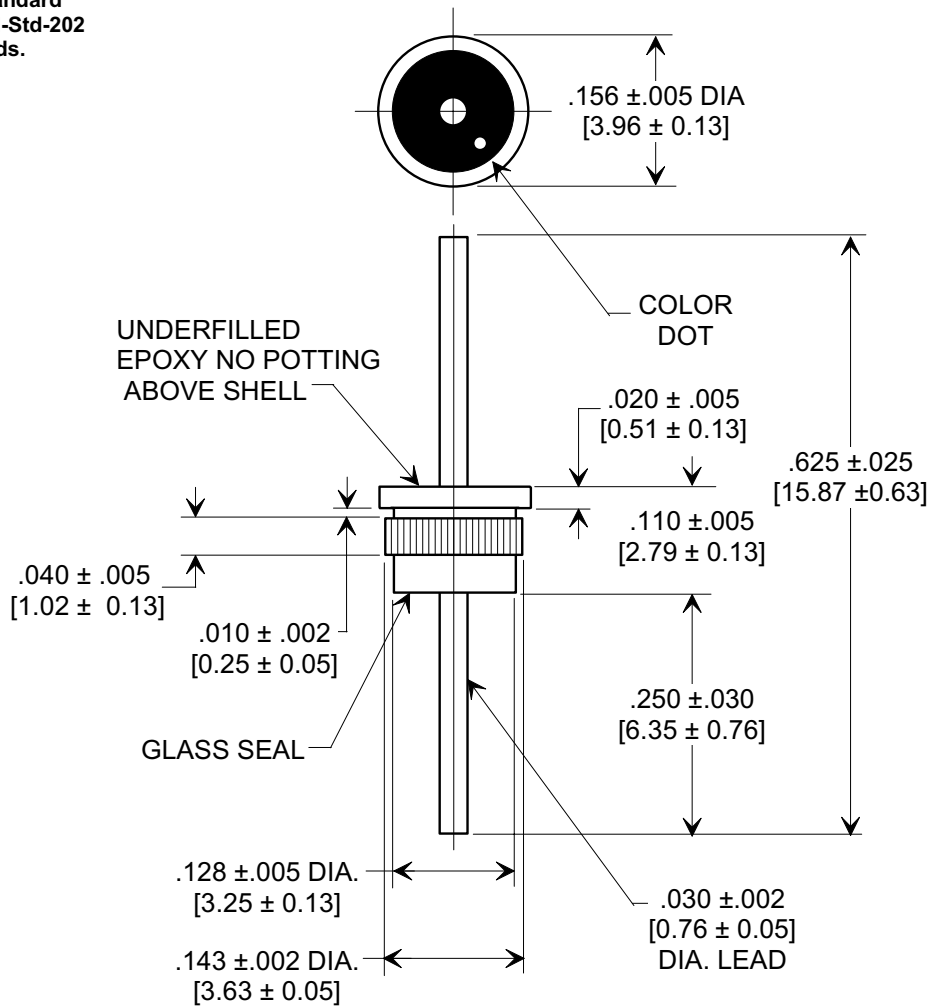
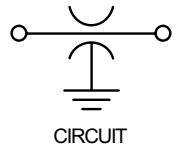
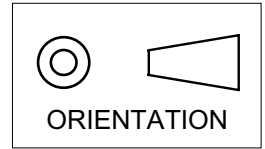


MARKETING SALES DRAWING

DIMENSIONS IN INCHES - DO NOT SCALE THIS DRAWING  
 DIMENSIONS IN METRIC - [ ]

Electrical Testing  
 per Tusonix standard  
 test plans and Mil-Std-202  
 Test Methods.



NOTES:

1. Gold plating, type III (99.9% min.), 100 microinch thickness over 200 microinch nickel underplate.
2. Epoxy sealed on opposite end from glass.
3. Max. recommended terminal soldering temperature: 260°C.
4. Recommended mounting hole: .136/.137 [3.45/3.48]. Hole must be free of insulating material. Proper installation requires firm, steady pressure until flange is fully seated.
5. Operating temperature range: -55°C to +125°C.

Cx (pF)	DC Working Voltage		DC Current (Amps)	Dielectric Withstanding Voltage (VDC)	Insulation Resistance Min @ 100 (VDC)	MIN. NO LOAD INSERTION LOSS (dB) @ 25° C PER MIL-STD-220					COLOR CODE
	85°C	125°C				1 MHz	10 MHz	100 MHz	1GHz	10 GHz	
5000 GMV	150	100	5	250	10 G Ω	---	15	30	45	55	YELLOW

X-2015 Rev-0 REVISION RECORD Original Release C.O. WAS SK 7718-005 L.E. 09-05-01 <b>20010829-2-11</b> DIM. REV'D .040 ± .005 WAS +.005 / -.000 L.E. 10-04-01 <b>20010921-7-10</b> COLOR CODE & NOTE 5 ADDED L.E. 01-08-03 <b>20030107-4-08</b> POTTING ABOVE SHELL REMOVED L.E. 03-07-03 <b>20030304-4-09</b>	--TOLERANCES-- Unless Otherwise Specified		Title <b>PRESS-IN EMI FILTER</b>	
	DECIMAL ±		Drawn L.E. 08-03-01 Scale 5 X	
	ANGLES ±		Approved B.M. 08-03-01	
	<b>TUSONIX</b> TUCSON, ARIZONA		<b>A</b> <b>4304-007</b>	