

COMMON MODE CHOKE

For Fibre Channel, Gigabit Ethernet,
and IEEE 1394 Applications



- Common Mode Attenuation from 200 MHz to 2.5 GHz
- Reduces radiated emissions and improves noise immunity
- 235°C Peak Reflow temperature rating
- Surface mount, auto-insertable package
- Industrial temperature range

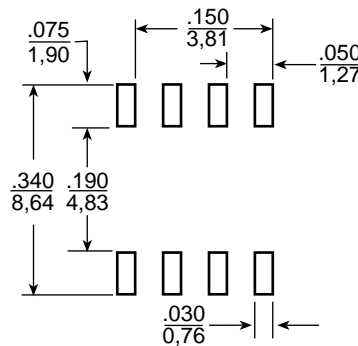
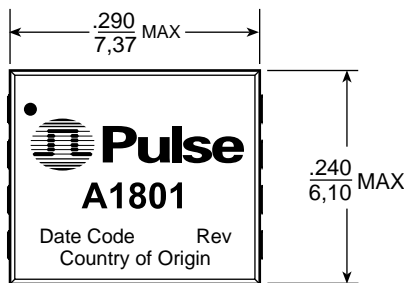
Electrical Specifications @ 25°C — Operating Temperature -40°C to +85°C

Part Number	Common Mode Attenuation (dB TYP)					Primary Inductance OCL (μH MIN)	DCR (Ω MAX)	
	200 MHz	500 MHz	1.0 GHz	1.5 GHz	2.0 GHz			2.5 GHz
A1801	-11.0	-11.0	-11.0	-10.0	-9.0	-7.5	3.0	.15

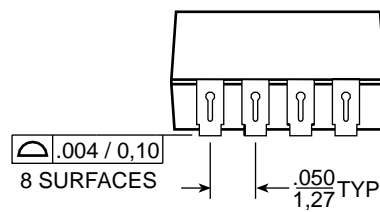
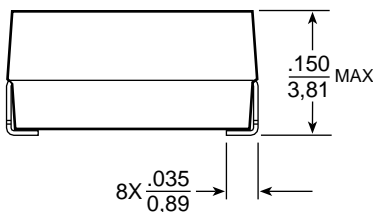
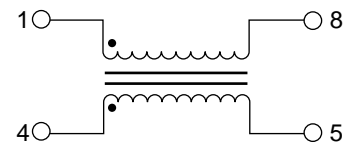
Mechanical

Schematic

A1801



SUGGESTED PAD LAYOUT



Dimensions: $\frac{\text{Inches}}{\text{mm}}$
Unless otherwise specified, all tolerances are $\pm \frac{.005}{0.13}$

Weight 0.2 grams (max)
Tape & Reel 1750/reel
Tube 80/tube

COMMON MODE CHOKE

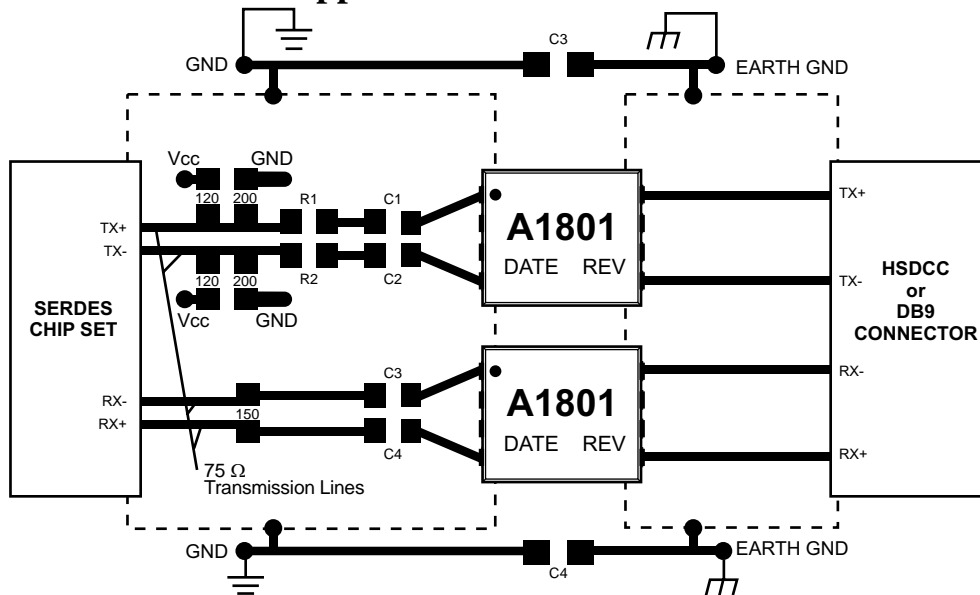
For Fibre Channel, Gigabit Ethernet, and IEEE 1394 Applications



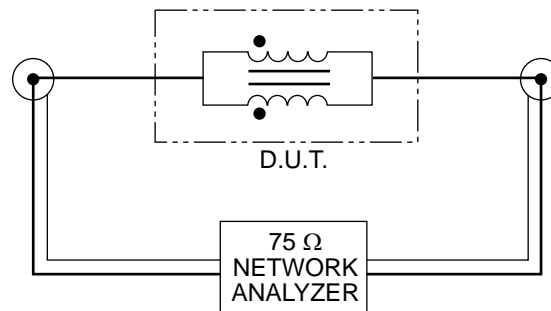
Application Notes:

1. Values for R1 and R2 are determined by system transmit amplitude requirements. A value of 0Ω for R1 and R2 will yield an output with maximum amplitude but distorted due to impedance mismatch. A value of 68Ω will provide an optimum waveform but have 6.0 dB insertion loss. If 6.0 dB loss is too great, select at least 15Ω to obtain a reasonable compromise between insertion loss and waveshape. The typical value for C1, C2, C3, and C4 is $0.1 \mu\text{F}$.
2. To maintain return loss and signal integrity, transmission line methods must be used when designing the PCB. For best performance the common mode choke should be located no more than 1" from the cable connector.
3. One example of a possible layout is shown below for a Fibre Channel application. Note that actual board layouts will vary based upon specific applications and EMC considerations.

Typical Fibre Channel 150Ω Application:



Test Circuit, Common Mode Attenuation:



For More Information :

UNITED STATES (Worldwide)

12220 World Trade Drive
San Diego, CA 92128
Quick-Facts: 619 674 9672
<http://www.pulseeng.com>
TEL: 858 674 8100
FAX: 858 674 8262

UNITED KINGDOM (Northern Europe)

1 & 2 Huxley Road
The Surrey Research Park
Guildford, Surrey GU2 5RE
United Kingdom
TEL: 44 1483 401700
FAX: 44 1483 401701

FRANCE (Southern Europe)

Zone Industrielle
F-39270
Orgelet
France
TEL: 33 3 84 35 04 04
FAX: 33 3 84 25 46 41

SINGAPORE (Southern Asia)

150 Kampong Ampat
#07-01/02
KA Centre
Singapore 368324
TEL: 65 287 8998
FAX: 65 280 0080

TAIWAN, R.O.C. (Northern Asia)

3F-4, No. 81, Sec. 1
HsinTai Wu Road
Hsi-Chih, Taipei Hsien
Taiwan, R.O.C.
Tel: 886 2 2698 0228
FAX: 886 2 2698 0948

DISTRIBUTOR

Performance warranty of products offered on this data sheet is limited to the parameters specified. Data is subject to change without notice. Other brand and product names mentioned herein may be trademarks or registered trademarks of their respective owners.