

PCN1001 Appendix A

Part Number	Description	Current Marking	New Marking
CPC1008N	4 PIN SOP DEVICE	Figure 1	Figure 2
CPC1008NTR	4 PIN SOP DEVICE, TAPE/REEL	Figure 1	Figure 2
CPC1016N	4 PIN SOP DEVICE	Figure 1	Figure 2
CPC1016NTR	4 PIN SOP DEVICE, TAPE/REEL	Figure 1	Figure 2
CPC1030N	SINGLE POLE NORMALLY OPEN (1 FORM A) OPTICALLY COUPLED MOSFET SWITCH,350V,30OHMS	Figure 1	Figure 2
CPC1030NTR	SINGLE POLE NORMALLY OPEN (1 FORM A) OPTICALLY COUPLED MOSFET SWITCH,350V,30 OHMS, TAPE/REEL	Figure 1	Figure 2
CPC1035N	SINGLE POLE NORMALLY OPEN (1 FORM A) OPTICALLY COUPLED MOSFET SWITCH	Figure 1	Figure 2
CPC1035NTR	SINGLE POLE NORMALLY OPEN (1 FORM A) OPTICALLY COUPLED MOSFET SWITCH, TAPE/REEL	Figure 1	Figure 2
CPC1036N	SINGLE POLE NORMSLLY OPEN (1 FORM A) OPTICALLY COUPLED MOSFET SWITCH	Figure 1	Figure 2
CPC1036NTR	SINGLE POLE NORMALLY OPEN (1 FORM A) OPTICALLY COUPLED MOSFET SWITCH, TAPE/REEL	Figure 1	Figure 2
CPC1050NX	4 PIN SOP	Figure 1	Figure 2
CPC1050NXTR	4 PIN SOP, TAPE/REEL	Figure 1	Figure 2
CPC1150N	A FORM B 4 PIN SOP	Figure 1	Figure 2
CPC1150NTR	A FORM B 4 PIN SOP, TAPE/REEL	Figure 1	Figure 2
CPC1230N	SINGLE POLE NORMALLY OPEN (1 FORM A) OPTICALLY COUPLED MOSFET SWITCH,350V,30 OHMS	Figure 1	Figure 2
CPC1230NTR	SINGLE POLE NORMALLY OPEN (1 FORM A) OPTICALLY COUPLED MOSFET SWITCH,350V,30 OHMS,TAPE/REEL	Figure 1	Figure 2
CPC1943G	ZERO CROSSING, OPTICALLY ISOLATED SOLID STATE RELAY DRIVING SMALL AC LOADS UP TO 0.5 AMP AND 400V PEAK AC, ATEC	Figure 3	Figure 4
CPC1943GS	ZERO CROSSING, OPTICALLY ISOLATED SOLID STATE RELAY DRIVING SMALL AC LOADS UP TO 0.5 AMP AND 400V PEAK AC, ATEC	Figure 3	Figure 4
CPC1943GSTR	ZERO CROSSING, OPTICALLY ISOLATED SOLID STATE RELAY DRIVING SMALL AC LOADS UP TO 0.5 AMP AND 400V PEAK AC,ATEC,TAPE/REEL	Figure 3	Figure 4
CPC1945G	SCR BASED AC RELAYS IN A POWER DIP PACKAGE	Figure 11	Figure 12
CPC1945Y	SCR BASED AC RELAYS IN A POWER SIP PACKAGE	Figure 9	Figure 10
CPC1965G	SCR BASED AC RELAY IN A POWER DIP PACKAGE	Figure 11	Figure 12
CPC1965Y	SCR BASED AC RELAYS IN A POWER SIP PACKAGE	Figure 9	Figure 10
CPC7581BA	4 POLE MONOLITHIC SOLID STATE SWITCH WITH PROTECTION	Figure 19	Figure 20

PCN1001 Appendix A

Part Number	Description	Current Marking	New Marking
CPC7581BATR	4 POLE MONOLITHIC SOLID STATE SWITCH WITH PROTECTION, TAPE/REEL	Figure 19	Figure 20
CPC7581BB	4 POLE MONOLITHIC SOLID STATE SWITCH WITHOUT PROTECTION	Figure 19	Figure 20
CPC7581BBTR	4 POLE MONOLITHIC SOLID STATE SWITCH WITHOUT PROTECTION, TAPE/REEL	Figure 19	Figure 20
CPC7581BCX	4 POLE MONOLITHIC SOLID STATE SWITCH WITH HIGH HOLD CURRENT	Figure 19	Figure 20
CPC7581BCXTR	4 POLE MONOLITHIC SOLID STATE SWITCH WITH HIGH HOLD CURRENT, TAPE/REEL	Figure 19	Figure 20
CPC7582BA	6 POLE MONOLITHIC SOLID STATE SWITCH WITH PROTECTION	Figure 19	Figure 20
CPC7582BATR	6 POLE MONOLITHIC SOLID STATE SWITCH WITH PROTECTION	Figure 19	Figure 20
CPC7582BB	6 POLE MONOLITHIC SOLID STATE SWITCH WITHOUT PROTECTION	Figure 19	Figure 20
CPC7582BBTR	6 POLE MONOLITHIC SOLID STATE SWITCH WITHOUT PROTECTION, TAPE/REEL	Figure 19	Figure 20
CPC7582BCX	6 POLE MONOLITHIC SOLID STATE SWITCH WITH HIGH HOLD CURRENT	Figure 19	Figure 20
CPC7582BCXTR	6 POLE MONOLITHIC SOLID STATE SWITCH WITH HIGH HOLD CURRENT, TAPE/REEL	Figure 19	Figure 20
CPC7583BAX	10 POLE MONOLITHIC SOLID STATE SWITCH LOGIC 1 OPTION WITH PROTECTION	Figure 21	Figure 22
CPC7583BAXTR	10 POLE MONOLITHIC SOLID STATE LOGIC 1 OPTION WITH PROTECTION, TAPE/REEL	Figure 21	Figure 22
CPC7583BBX	10 POLE MONOLITHIC SOLID STATE SWITCH LOGIC 1 OPTION WITHOUT PROTECTION	Figure 21	Figure 22
CPC7583BBXTR	10 POLE MONOLITHIC SOLID STATE SWITCH LOGIC 1 OPTION WITHOUT PROTECTION	Figure 21	Figure 22
CPC7583BCX	10 POLE MONOLITHIC SOLID STATE SWITCH LOGIC 2 OPTION WITH PROTECTION	Figure 21	Figure 22
CPC7583BCXTR	10 POLE MONOLITHIC SOLID STATE SWITCH LOGIC 2 OPTION WITH PROTECTION, TAPE/REEL	Figure 21	Figure 22
CPC7583BDX	10 POLE MONOLITHIC SOLID STATE SWITCH LOGIC 2 OPTION WITHOUT PROTECTION	Figure 21	Figure 22
CPC7583BDXTR	10 POLE MONOLITHIC SOLID STATE SWITCH LOGIC 2 OPTION WITHOUT PROTECTION, TAPE/REEL	Figure 21	Figure 22
FDA207	DUAL OPTICALLY-ISOLATED MOSFET DRIVER WITH INDEPENDENT INPUTS, ATEC	Figure 5	Figure 6
FDA207S	DUAL OPTICALLY-ISOLATED MOSFET DRIVER WITH INDEPENDENT INPUTS, GULLWING	Figure 5	Figure 6
FDA207STR	DUAL OPTICALLY-ISOLATED MOSFET DRIVER WITH DUAL INDEPENDENT INPUTS, TAPE AND REEL	Figure 5	Figure 6
FDA215	DUAL OPTICALLY-ISOLATED MOSFET DRIVER WITH INDEPENDENT INPUTS, ATEC	Figure 5	Figure 6

PCN1001 Appendix A

Part Number	Description	Current Marking	New Marking
FDA215H	DUAL OPTICALLY-ISOLATED MOSFET DRIVER WITH INDEPENDENT INPUTS, ATEC	Figure 5	Figure 6
FDA215S	DUAL OPTICALLY-ISOLATED MOSFET DRIVER WITH INDEPENDENT INPUTS, GULLWING	Figure 5	Figure 6
FDA216	DUAL OPTICALLY-ISOLATED MOSFET DRIVER WITH PARALLEL INPUTS, ATEC	Figure 5	Figure 6
IAA110P	COMBINATION OF 2 FORM A OPTICALLY-COUPLED MOSFET SWITCH AND CURRENT DETECTOR IN A 16 LEAD SOIC PACKAGE, FLATPACK	Figure 13	Figure 14
IAA110PTR	COMBINATION OF 2 FORM A OPTICALLY-COUPLED MOSFET SWITCH AND CURRENT DETECTOR IN A 16 LEAD SOIC PACKAGE, FLATPACK, TAPE/REEL	Figure 13	Figure 14
IAA135P	COMBINATION OF 2 FORM A OPTICALLY COUPLED MOSFET SWITCH AND CURRENT DETECTOR IN A 16 LEAD SOIC PACKAGE, FLATPACK	Figure 13	Figure 14
IAA135PTR	COMBINATION OF 2 FORM A OPTICALLY COUPLED MOSFET SWITCH AND CURRENT DETECTOR IN A 16 LEAD SOIC PACKAGE, FLATPACK, TAPE/REEL	Figure 13	Figure 14
IAA170P	COMBINATION OF 2 FORM A OPTICALLY-COUPLED MOSFET SWITCH AND CURRENT DETECTOR IN A 16 LEAD SOIC PACKAGE	Figure 13	Figure 14
IAA170PTR	COMBINATION OF 2 FORM A OPTICALLY-COUPLED MOSFET SWITCH AND CURRENT DETECTOR IN A 16 LEAD SOIC PACKAGE, TAPE/REEL	Figure 13	Figure 14
IAB110P	COMBINATION OF 1 FORM A, 1 FORM B OPTICALLY- COUPLED MOSFET SWITCH AND CURRENT DETECTOR IN A 1 LEAD SOIC PACKAGE, FLATPACK	Figure 13	Figure 14
IAB110PTR	COMBINATION OF 1 FORM A, 1 FORM B OPTICALLY- COUPLED MOSFET SWITCH AND CURRENT DETECTOR IN A 1 LEAD SOIC PACKAGE, FLATPACK, TAPE/REEL	Figure 13	Figure 14
IAB170P	COMBINATION 1 FORM A AND 1 FORM B MOSFET SSR AND OPTOCOUPLER IN 16 LEAD SOIC PACKAGE.	Figure 13	Figure 14
IAB170PTR	COMBINATION 1 FORM A AND 1 FORM B MOSFET SSR AND OPTOCOUPLER IN 16 LEAD SOIC PACKAGE, TAPE/REEL	Figure 13	Figure 14
IAD110P	COMBINATION OF 1 FORM A OPTICALLY-COUPLED MOSFET SWITCH AND TWO CURRENT DETECTORS IN A 16 LEAD SOIC PACKAGE, FLATPACK	Figure 13	Figure 14

PCN1001 Appendix A

Part Number	Description	Current Marking	New Marking
IAD110PTR	COMBINATION OF 1 FORM A OPTICALLY-COUPLED MOSFET SWITCH AND TWO CURRENT DETECTORS IN A 16 LEAD SOIC PACKAGE, FLATPACK, TAPE/REEL	Figure 13	Figure 14
IAD112N	COMBINATION OF 1 FORM A OPTICALLY-COUPLED MOSFET SWITCH AND TWO CURRENT DETECTORS IN A 16 LEAD SOIC NARROW PACKAGE	Figure 15	Figure 16
IAD112NTR	COMBINATION OF 1 FORM A OPTICALLY-COUPLED MOSFET SWITCH AND TWO CURRENT DETECTORS IN A 16 LEAD SOIC NARROW PACKAGE, TAPE/REEL	Figure 15	Figure 16
IAD115N	COMBINATION OF 1 FORM A OPTICALLY-COUPLED MOSFET SWITCH AND TWO CURRENT DETECTORS IN A 16 LEAD SOIC NARROW PACKAGE	Figure 15	Figure 16
IAD115NTR	COMBINATION OF 1 FORM A OPTICALLY-COUPLED MOSFET SWITCH AND TWO CURRENT DETECTORS IN A 16 LEAD SOIC NARROW PACKAGE, TAPE/REEL	Figure 15	Figure 16
IAD170P	COMBINATION OF 1 FORM A OPTICALLY-COUPLED MOSFET SWITCH AND TWO CURRENT DETECTORS IN A 16 LEAD SOIC PACKAGE, FLATPACK	Figure 13	Figure 14
IAD170PTR	COMBINATION OF 1 FORM A OPTICALLY-COUPLED MOSFET SWITCH AND TWO CURRENT DETECTORS IN A 16 LEAD SOIC PACKAGE, FLATPACK, TAPE/REEL	Figure 13	Figure 14
IBB110P	COMBINATION OF 2 FORM B OPTICALLY-COUPLED MOSFET SWITCH AND CURRENT DETECTOR IN A 16 LEAD SOIC PACKAGE, FLATPACK	Figure 13	Figure 14
IBB110PTR	COMBINATION OF 2 FORM B OPTICALLY-COUPLED MOSFET SWITCH AND CURRENT DETECTOR IN A 16 LEAD SOIC PACKAGE, FLATPACK, TAPE/REEL	Figure 13	Figure 14
IBB170P	COMBINATION 2 FORM B MOSFET SSR AND OPTOCOUPLER IN 16 LEAD SOIC PACKAGE	Figure 13	Figure 14
IBB170PTR	COMBINATION 2 FORM B MOSFET SSR AND OPTOCOUPLER IN 16 LEAD SOIC PACKAGE, TAPE/REEL	Figure 13	Figure 14
ITC115P	ONE FORM A SOLID STATE RELAY, IN A 16 LEAD SOIC PACKAGE, FLATPACK	Figure 13	Figure 14
ITC116P	ONE FORM A SOLID STATE RELAY, IN A 16 LEAD SOIC PACKAGE,FLATPACK	Figure 13	Figure 14
ITC116PTR	ONE FORM A SOLID STATE RELAY,IN A 16 LEAD SOIC PACKAGE,FLATPACK,TAPE/REEL	Figure 13	Figure 14
ITC117P	ONE FORM A SOLID STATE RELAY, IN A 16 LEAD SOIC PACKAGE, FLATPACK	Figure 13	Figure 14

PCN1001 Appendix A

Part Number	Description	Current Marking	New Marking
ITC117PL	ONE FORM A SOLID STATE RELAY, IN A 16 LEAD SOIC PACKAGE, CURRENT LIMITING, FLATPACK	Figure 13	Figure 14
ITC117PLTR	ONE FORM A SOLID STATE RELAY, IN A 16 LEAD SOIC PACKAGE, CURRENT LIMITING, FLATPACK, TAPE/REEL	Figure 13	Figure 14
ITC117PTR	ONE FORM A SOLID STATE RELAY, IN A 16 LEAD SOIC PACKAGE, FLATPACK, TAPE/REEL	Figure 13	Figure 14
ITC135P	ONE FORM A SOLID STATE RELAY, IN A 16 LEAD SOIC PACKAGE, FLATPACK	Figure 13	Figure 14
ITC135PTR	ONE FORM A SOLID STATE RELAY, IN A 16 LEAD SOIC PACKAGE, FLATPACK, TAPE/REEL	Figure 13	Figure 14
ITC137P	ONE FORM A SOLID STATE RELAY, IN A 16 LEAD SOIC PACKAGE, FLATPACK	Figure 13	Figure 14
ITC137PTR	ONE FORM A SOLID STATE RELAY, IN A 16 LEAD SOIC PACKAGE, FLATPACK, TAPE/REEL	Figure 13	Figure 14
LAA100	TWO INDEPENDENT 1 FORM A OPTICALLY ISOLATED MOSFET SWITCHES IN A SINGLE PACKAGE, ATEC	Figure 5	Figure 6
LAA100L	TWO INDEPENDENT 1 FORM A OPTICALLY ISOLATED MOSFET SWITCHES IN A SINGLE PACKAGE, CURRENT LIMITING, ATEC	Figure 5	Figure 6
LAA100LS	TWO INDEPENDENT 1 FORM A OPTICALLY ISOLATED MOSFET SWITCHES IN A SINGLE PACKAGE, CURRENT LIMITING, GULLWING	Figure 5	Figure 6
LAA100LSTR	TWO INDEPENDENT 1 FORM A OPTICALLY ISOLATED MOSFET SWITCHES IN A SINGLE PACKAGE, CURRENT LIMITING, TAPE/REEL	Figure 5	Figure 6
LAA100P	TWO INDEPENDENT 1 FORM A OPTICALLY ISOLATED MOSFET SWITCHES IN A SINGLE PACKAGE, FLATPACK	Figure 7	Figure 8
LAA100PL	TWO INDEPENDENT 1 FORM A OPTICALLY ISOLATED MOSFET SWITCHES IN A SINGLE PACKAGE, CURRENT LIMITING, FLATPACK	Figure 7	Figure 8
LAA100PLTR	TWO INDEPENDENT 1 FORM A OPTICALLY ISOLATED MOSFET SWITCHES IN A SINGLE PACKAGE, CURRENT LIMITING, FLATPACK, TAPE/REEL	Figure 7	Figure 8
LAA100PTR	TWO INDEPENDENT 1 FORM A OPTICALLY ISOLATED MOSFET SWITCHES IN A SINGLE PACKAGE, FLATPACK, TAPE/REEL	Figure 7	Figure 8
LAA100S	TWO INDEPENDENT 1 FORM A OPTICALLY ISOLATED MOSFET SWITCHES IN A SINGLE PACKAGE, GULLWING	Figure 5	Figure 6
LAA100STR	TWO INDEPENDENT 1 FORM A OPTICALLY ISOLATED MOSFET SWITCHES IN A SINGLE PACKAGE, GULLWING, TAPE/REEL	Figure 5	Figure 6

PCN1001 Appendix A

Part Number	Description	Current Marking	New Marking
LAA110	TWO INDEPENDENT 1 FORM A OPTICALLY ISOLATED MOSFET SWITCHES IN A SINGLE PACKAGE, ATEC	Figure 5	Figure 6
LAA110A	DOUBLE POLE NORMALLY OPEN 2 FORM A OPTICALLY COUPLED MOSFET SWITCH, ATEC	Figure 5	Figure 6
LAA110AS	DOUBLE POLE NORMALLY OPEN 2 FORM A OPTICALLY COUPLED MOSFET SWITCH, ATEC	Figure 5	Figure 6
LAA110ASTR	DOUBLE POLE NORMALLY OPEN 2 FORM A OPTICALLY COUPLED MOSFET SWITCH,ATEC, TAPE/REEL	Figure 5	Figure 6
LAA110B	TWO INDEPENDENT 1 FORM A OPTICALLY ISOLATED MOSFET SWITCHES IN A SINGLE PACKAGE, BUTT CUT	Figure 5	Figure 6
LAA110H	TWO INDEPENDENT 1 FORM A OPTICALLY ISOLATED MOSFET SWITCHES IN A SINGLE PACKAGE, ATEC	Figure 5	Figure 6
LAA110HS	TWO INDEPENDENT 1 FORM A OPTICALLY ISOLATED MOSFET SWITCHES IN A SINGLE PACKAGE, TAPE/REEL	Figure 5	Figure 6
LAA110L	TWO INDEPENDENT 1 FORM A OPTICALLY ISOLATED MOSFET SWITCHES IN A SINGLE PACKAGE, CURRENT LIMITING, ATEC	Figure 5	Figure 6
LAA110LS	TWO INDEPENDENT 1 FORM A OPTICALLY ISOLATED MOSFET SWITCHES IN A SINGLE PACKAGE, CURRENT LIMITING, GULL WING	Figure 5	Figure 6
LAA110LSTR	TWO INDEPENDENT 1 FORM A OPTICALLY ISOLATED MOSFET SWITCHES IN A SINGLE PACKAGE, CURRENT LIMITING, TAPE/REEL	Figure 5	Figure 6
LAA110P	TWO INDEPENDENT 1 FORM A OPTICALLY ISOLATED MOSFET SWITCHES IN A SINGLE PACKAGE, FLATPACK	Figure 7	Figure 8
LAA110PL	TWO INDEPENDENT 1 FORM A OPTICALLY ISOLATED MOSFET SWITCHES IN A SINGLE PACKAGE, CURRENT LIMITING, FLATPACK	Figure 7	Figure 8
LAA110PLTR	TWO INDEPENDENT 1 FORM A OPTICALLY ISOLATED MOSFET SWITCHES IN A SINGLE PACKAGE, CURRENT LIMITING, FLATPACK, TAPE/REEL	Figure 7	Figure 8
LAA110PTR	TWO INDEPENDENT 1 FORM A OPTICALLY ISOLATED MOSFET SWITCHES IN A SINGLE PACKAGE, FLATPACK, TAPE/REEL	Figure 7	Figure 8
LAA110S	TWO INDEPENDENT 1 FORM A OPTICALLY ISOLATED MOSFET SWITCHES IN A SINGLE PACKAGE, GULL WING	Figure 5	Figure 6
LAA110STR	TWO INDEPENDENT 1 FORM A OPTICALLY ISOLATED MOSFET SWITCHES IN A SINGLE PACKAGE, TAPE/REEL	Figure 5	Figure 6

PCN1001 Appendix A

Part Number	Description	Current Marking	New Marking
LAA115	TWO INDEPENDENT 1 FORM A OPTICALLY ISOLATED MOSFET SWITCHES IN A SINGLE PACKAGE, ATEC	Figure 5	Figure 6
LAA115S	TWO INDEPENDENT 1 FORM A OPTICALLY ISOLATED SWITCHES IN A SINGLE PACKAGE, GULL WING	Figure 5	Figure 6
LAA115STR	TWO INDEPENDENT 1 FORM A OPTICALLY ISOLATED MOSFET SWITCHES IN A SINGLE PACKAGE, GULL WING, TAPE/REE	Figure 5	Figure 6
LAA117	TWO INDEPENDENT 1 FORM A OPTICALLY ISOLATED MOSFET SWITCHES IN A SINGLE PACKAGE, ATEC	Figure 5	Figure 6
LAA117S	TWO INDEPENDENT 1 FORM A OPTICALLY ISOLATED MOSFET SWITCHES IN A SINGLE PACKAGE, GULL WING	Figure 5	Figure 6
LAA117STR	TWO INDEPENDENT 1 FORM A OPTICALLY ISOLATED MOSFET SWITCHES IN A SINGLE PACKAGE, TAPE/REEL	Figure 5	Figure 6
LAA120	TWO INDEPENDENT 1 FORM A OPTICALLY ISOLATED MOSFET SWITCHES IN A SILGLE PACKAGE, ATEC	Figure 5	Figure 6
LAA120H	TWO INDEPENDENT 1 FORM A OPTICALLY ISOLATED MOSFET SWITCHES IN A SINGLE PACKAGE, ATEC	Figure 5	Figure 6
LAA120L	TWO INDEPENDENT 1 FORM A OPTICALLY ISOLATED MOSFET SWITCHES IN A SINGLE PACKAGE, CURRENT LIMITING, ATEC	Figure 5	Figure 6
LAA120LS	TWO INDEPENDENT 1 FORM A OPTICALLY ISOLATED MOSFET SWITCHES IN A SINGLE PACKAGE, CURRENT LIMITING, GULL WING	Figure 5	Figure 6
LAA120LSTR	TWO INDEPENDENT 1 FORM A OPTICALLY ISOLATED MOSFET SWITCHES IN A SINGLE PACKAGE, CURRENT LIMITING, TAPE/REEL	Figure 5	Figure 6
LAA120P	TWO INDEPENDENT 1 FORM A OPTICALLY ISOLATED MOSFET SWITCHES IN A SINGLE PACKAGE, FLATPACK	Figure 7	Figure 8
LAA120PL	TWO INDEPENDENT 1 FORM A OPTICALLY ISOLATED MOSFET SWITCHES IN A SINGLE PACKAGE	Figure 7	Figure 8
LAA120PLTR	TWO INDEPENDENT 1 FORM A OPTICALLY ISOLATED MOSFET SWITCHES IN A SINGLE PACKAGE, TAPE/REEL	Figure 7	Figure 8
LAA120PTR	TWO INDEPENDENT 1 FORM A OPTICALLY ISOLATED MOSFET SWITCHES IN A SINGLE PACKAGE, FLATPACK, TAPE/REEL	Figure 7	Figure 8
LAA120S	TWO INDEPENDENT 1 FORM A OPTICALLY ISOLATED MOSFET SWITCHES IN A SINGLE PACKAGE, GULL WING	Figure 5	Figure 6

PCN1001 Appendix A

Part Number	Description	Current Marking	New Marking
LAA120STR	TWO INDEPENDENT 1 FORM A OPTICALLY ISOLATED MOSFET SWITCHES IN A SINGLE PACKAGE, TAPE/REEL	Figure 5	Figure 6
LAA121	TWO INDEPENDENT 1 FORM A OPTICALLY ISOLATED MOSFET SWITCHES IN A SINGLE PACKAGE, ATEC	Figure 5	Figure 6
LAA121S	TWO INDEPENDENT 1 FORM A OPTICALLY ISOLATED MOSFET SWITCHES IN A SINGLE PACKAGE, GULL WING	Figure 5	Figure 6
LAA121STR	TWO INDEPENDENT 1 FORM A OPTICALLY ISOLATED MOSFET SWITCHES IN A SINGLE PACKAGE, TAPE/REEL	Figure 5	Figure 6
LAA125	DOUBLE POLE NORMALLY OPEN 2 FORM A OPTICALLY COUPLED MOSFET SWITCH, ATEC	Figure 5	Figure 6
LAA125L	DOUBLE POLE NORMALLY OPEN 2 FORM A OPTICALLY COUPLED MOSFET SWITCH, CURRENT LIMITING, ATEC	Figure 5	Figure 6
LAA125LS	DOUBLE POLE NORMALLY OPEN 2 FORM A OPTICALLY COUPLED MOSFET SWITCH, CURRENT LIMITING, GULL WING	Figure 5	Figure 6
LAA125LSTR	DOUBLE POLE NORMALLY OPEN 2 FORM A OPTICALLY COUPLED MOSFET SWITCH, CURRENT LIMITING, TAPE/REEL	Figure 5	Figure 6
LAA125P	DOUBLE POLE NORMALLY OPEN 2 FORM A OPTICALLY COUPLED MOSFET SWITCH, FLATPACK	Figure 7	Figure 8
LAA125PL	DOUBLE POLE NORMALLY OPEN 2 FORM A OPTICALLY COUPLED MOSFET SWITCH 8 PIN FLATPACK, CURRENT LIMITING	Figure 7	Figure 8
LAA125PLTR	DOUBLE POLE NORMALLY OPEN 2 FORM A OPTICALLY COUPLED MOSFET SWITCH 8 PIN FLATPACK, CURRENT LIMITING, TAPE/REEL	Figure 7	Figure 8
LAA125PTR	DOUBLE POLE NORMALLY OPEN 2 FORM A OPTICALLY COUPLED MOSFET SWITCH, FLATPACK, TAPE/REEL	Figure 7	Figure 8
LAA125S	DOUBLE POLE NORMALLY OPEN 2 FORM A OPTICALLY COUPLED MOSFET SWITCH, GULL WING	Figure 5	Figure 6
LAA125STR	DOUBLE POLE NORMALLY OPEN 2 FORM A OPTICALLY COUPLED MOSFET SWITCH, TAPE/REEL	Figure 5	Figure 6
LAA126	TWO INDEPENDENT 1 FORM A OPTICALLY ISOLATED MOSFET SWITCHES IN A SINGLE PACKAGE, ATEC	Figure 5	Figure 6
LAA126L	TWO INDEPENDENT 1 FORM A OPTICALLY ISOLATED MOSFET SWITCHES IN A SINGLE PACKAGE, ATEC	Figure 5	Figure 6

PCN1001 Appendix A

Part Number	Description	Current Marking	New Marking
LAA126S	TWO INDEPENDENT 1 FORM A OPTICALLY ISOLATED MOSFET SWITCHES IN A SINGLE PACKAGE, GUL WING	Figure 5	Figure 6
LAA126STR	TWO INDEPENDENT 1 FORM A OPTICALLY ISOLATED MOSFET SWITCHES IN A SINGLE PACKAGE, TAPE/REEL	Figure 5	Figure 6
LAA127	TWO INDEPENDENT 1 FORM A OPTICALLY ISOLATED MOSFET SWITCHES IN A SINGLE PACKAGE, ATEC	Figure 5	Figure 6
LAA127L	TWO INDEPENDENT 1 FORM A OPTICALLY ISOLATED MOSFET SWITCHES IN A SINGLE PACKAGE, CURRENT LIMITING, ATEC	Figure 5	Figure 6
LAA127LS	TWO INDEPENDENT 1 FORM A OPTICALLY ISOLATED MOSFET SWITCHES IN A SINGLE PACKAGE, CURRENT LIMITING, GULL WING	Figure 5	Figure 6
LAA127LSTR	TWO INDEPENDENT 1 FORM A OPTICALLY ISOLATED MOSFET SWITCHES IN A SINGLE PACKAGE, CURRENT LIMITING, TAPE/REEL	Figure 5	Figure 6
LAA127P	TWO INDEPENDENT 1 FORM A OPTICALLY ISOLATED MOSFET SWITCHES IN A SINGLE PACKAGE, FLATPACK	Figure 7	Figure 8
LAA127PL	TWO INDEPENDENT 1 FORM A OPTICALLY ISOLATED MOSFET SWITCHES IN A SINGLE PACKAGE	Figure 7	Figure 8
LAA127PLTR	TWO INDEPENDENT 1 FORM A OPTICALLY ISOLATED MOSFET SWITCHES IN A SINGLE PACKAGE, TAPE/REEL	Figure 7	Figure 8
LAA127PTR	TWO INDEPENDENT 1 FORM A OPTICALLY ISOLATED MOSFET SWITCHES IN A SINGLE PACKAGE, FLATPACK, TAPE/REEL	Figure 7	Figure 8
LAA127S	TWO INDEPENDENT 1 FORM A OPTICALLY ISOLATED MOSFET SWITCHES IN A SINGLE PACKAGE, GULL WING	Figure 5	Figure 6
LAA127STR	TWO INDEPENDENT 1 FORM A OPTICALLY ISOLATED MOSFET SWITCHES IN A SINGLE PACKAGE, TAPE/REEL	Figure 5	Figure 6
LAA148	TWO INDEPENDENT 1 FORM A OPTICALLY ISOLATED MOSFET SWITCHES IN A SINGLE PACKAGE, ATEC	Figure 5	Figure 6
LAA148S	TWO INDEPENDENT 1 FORM A OPTICALLY ISOLATED MOSFET SWITCHES IN A SINGLE PACKAGE, GULL WING	Figure 5	Figure 6
LAA148STR	TWO INDEPENDENT 1 FORM A OPTICALLY ISOLATED MOSFET SWITCHES IN A SINGLE PACKAGE, TAPE/REEL	Figure 5	Figure 6
LBA106L	TWO INDEPENDENT 1 FORM A AND 1 FORM B OPTICALLY ISOLATED MOSFET SWITCH IN A SINGLE PACKAGE, CURRENT LIMITING, ATEC	Figure 5	Figure 6

PCN1001 Appendix A

Part Number	Description	Current Marking	New Marking
LBA106LS	TWO INDEPENDENT 1 FORM A AND 1 FORM B OPTICALLY ISOLATED MOSFET SWITCHES IN A SINGLE PACKAGE, CURRENT LIMITING, GULLWING	Figure 5	Figure 6
LBA106LSTR	TWO INDEPENDENTLY	Figure 5	Figure 6
LBA107L	TWO INDEPENDENT 1 FORM A AND 1 FORM B OPTICALLY ISOLATED MOSFET SWITCH IN A SINGLE PACKAGE, CURRENT LIMITING, ATEC	Figure 5	Figure 6
LBA107LS	TWO INDEPENDENT 1 FORM A AND 1 FORM B OPTICALLY ISOLATED MOSFET SWITCH IN A SINGLE PACKAGE, CURRENT LIMITING , GULLWING	Figure 5	Figure 6
LBA107LSTR	TWO INDEPENDENT 1 FORM A AND 1 FORM B OPTICALLY ISOLATED MOSFET SWITCH IN A SINGLE PACKAGE, CURRENT LIMITING, TAPE/REEL	Figure 5	Figure 6
LBA110	TWO INDEPENDENT 1 FORM A AND 1 FORM B OPTICALLY ISOLATED MOSFET SWITCHES IN A SINGLE PACKAGE, ATEC	Figure 5	Figure 6
LBA110L	ONE FORM A AND ONE FORM B, INDEPENDENT, OPTICALLY ISOLATED MOSFET SWITCHES IN A SINGLE PACKAGE, CURRENT LIMITING, ATEC	Figure 5	Figure 6
LBA110LS	ONE FORM A AND ONE FORM B, INDEPENDENT, OPTICALLY ISOLATED MOSFET SWITCHES IN A SINGLE PACKAGE, CURRENT LIMITING, ATEC, GULLWING	Figure 5	Figure 6
LBA110LSTR	ONE FORM A AND ONE FORM B, INDEPENDENT, OPTICALLY ISOLATED MOSFET SWITCHES IN A SINGLE PACKAGE, CURRENT LIMITING, ATEC, GULLWING, TAPE AND REEL	Figure 5	Figure 6
LBA110P	TWO INDEPENDENT 1 FORM A OPTICALLY ISOLATED MOSFET SWITCHES IN A SINGLE PACKAGE, FLATPACK	Figure 7	Figure 8
LBA110PL	ONE FORM A AND ONE FORM B, INDEPENDENT, OPTICALLY ISOLATED MOSFET SWITCHES IN A SINGLE PACKAGE, CURRENT LIMITING, FLATPACK	Figure 7	Figure 8
LBA110PLTR	ONE FORM A AND ONE FORM B, INDEPENDENT, OPTICALLY ISOLATED MOSFET SWITCHES IN A SINGLE PACKAGE, CURRENT LIMITING, FLATPACK, TAPE/REEL	Figure 7	Figure 8
LBA110PTR	TWO INDEPENDENT 1 FORM A OPTICALLY ISOLATED MOSFET SWITCHES IN A SINGLE PACKAGE, FLATPACK, TAPE/REEL	Figure 7	Figure 8
LBA110S	TWO INDEPENDENT 1 FORM A AND 1 FORM B OPTICALLY ISOLATED MOSFET SWITCHES IN A SINGLE PACKAGE, GULL WING	Figure 5	Figure 6

PCN1001 Appendix A

Part Number	Description	Current Marking	New Marking
LBA110STR	TWO INDEPENDENT 1 FORM A AND 1 FORM B OPTICALLY ISOLATED MOSFET SWITCHES IN A SINGLE PACKAGE, TAPE/REEL	Figure 5	Figure 6
LBA111	TWO INDEPENDENT 1 FORM A (NORMALLY-OPEN) AND 1 FORM B (NORMALLY CLOSED) BI-DIRECTIONAL AC/DC RELAYS IN A SINGLE PACKAGE, ATEC	Figure 5	Figure 6
LBA111S	TWO INDEPENDENT 1 FORM A (NORMALLY-OPEN) AND 1 FORM B (NORMALLY CLOSED) BI-DIRECTIONAL AC/DC RELAYS IN A SINGLE PACKAGE, GULLWING	Figure 5	Figure 6
LBA111STR	TWO INDEPENDENT 1 FORM A (NORMALLY-OPEN) AND 1 FORM B (NORMALLY CLOSED) BI-DIRECTIONAL AC/DC RELAYS IN A SINGLE PACKAGE, GULLWING, TAPE/REEL	Figure 5	Figure 6
LBA115	TWO INDEPENDENT 1 FORM A AND 1 FORM B OPTICALLY ISOLATED MOSFET SWITCHES IN A SINGLE PACKAGE, ATE	Figure 5	Figure 6
LBA115S	TWO INDEPENDENT 1 FORM A AND 1 FORM B OPTICALLY ISOLATED MOSFET SWITCHES IN A SINGLE PACKAGE, GULL WING	Figure 5	Figure 6
LBA115STR	TWO INDEPENDENT 1 FORM A AND 1 FORM B OPTICALLY ISOLATED MOSFET SWITCHES IN A SINGLE PACKAGE, TAPE/REEL	Figure 5	Figure 6
LBA120	ONE FORM A AND ONE FORM B, INDEPENDENT, OPTICALLY ISOLATED MOSFET SWITCHES IN A SINGLE PACKAGE, ATE	Figure 5	Figure 6
LBA120L	ONE FORM A AND ONE FORM B, INDEPENDENT, OPTICALLY ISOLATED MOSFET SWITCHES IN A SINGLE PACKAGE, CURRENT LIMITING, ATEC	Figure 5	Figure 6
LBA120LS	ONE FORM A AND ONE FORM B, INDEPENDENT, OPTICALLY ISOLATED MOSFET SWITCHES IN A SINGLE PACKAGE, CURRENT LIMITING, GULL WING	Figure 5	Figure 6
LBA120LSTR	ONE FORM A AND ONE FORM B, INDEPENDENT, OPTICALLY ISOLATED MOSFET SWITCHES IN A SINGLE PACKAGE, CURRENT LIMITING, TAPE/REEL	Figure 5	Figure 6
LBA120P	TWO INDEPENDENT 1 FORM A AND 1 FORM B OPTICALLY ISOLATED MOSFET SWITCHES IN A SINGLE PACKAGE, FLATPACK	Figure 5	Figure 6
LBA120PTR	TWO INDEPENDENT 1 FORM A AND 1 FORM B OPTICALLY ISOLATED MOSFET SWITCHES IN SINGLE PACKAGE, FLATPACK, TAPE/REEL	Figure 5	Figure 6
LBA120S	ONE FORM A AND ONE FORM B, INDEPENDENT, OPTICALLY ISOLATED MOSFET SWITCHES IN A SINGLE PACKAGE, GULL WING	Figure 5	Figure 6

PCN1001 Appendix A

Part Number	Description	Current Marking	New Marking
LBA120STR	ONE FORM A AND ONE FORM B, INDEPENDENT, OPTICALLY ISOLATED MOSFET SWITCHES IN A SINGLE PACKAGE, TAPE/REEL	Figure 5	Figure 6
LBA126	ONE FORM A AND ONE FORM B, INDEPENDENT, OPTICALLY ISOLATED MOSFET SWITCHES IN A SINGLE PACKAGE, ATEC	Figure 5	Figure 6
LBA126L	ONE FORM A AND ONE FORM B, INDEPENDENT, OPTICALLY ISOLATED MOSFET SWITCHES IN A SINGLE PACKAGE, CURRENT LIMITING, ATEC	Figure 5	Figure 6
LBA126LS	ONE FORM A AND ONE FORM B, INDEPENDENT, OPTICALLY ISOLATED MOSFET SWITCHES IN A SINGLE PACKAGE, CURRENT LIMITING, GULL WING	Figure 5	Figure 6
LBA126LSTR	ONE FORM A AND ONE FORM B, INDEPENDENT, OPTICALLY ISOLATED MOSFET SWITCHES IN A SINGLE PACKAGE, CURRENT LIMITING, TAPE/REEL	Figure 5	Figure 6
LBA126P	TWO INDEPENDENT 1 FORM A AND 1 FORM B OPTICALLY ISOLATED MOSFET SWITCHES IN A SINGLE PACKAGE,FLATPACK	Figure 7	Figure 8
LBA126PTR	TWO INDEPENDENT 1 FORM A AND 1 FORM B OPTICALLY ISOLATED MOSFET SWITCHES IN A SINGLE PACKAGE,FLATPACK,ATEC	Figure 7	Figure 8
LBA126S	ONE FORM A AND ONE FORM B, INDEPENDENT, OPTICALLY ISOLATED MOSFET SWITCHES IN A SINGLE PACKAGE, GULL WING	Figure 5	Figure 6
LBA126STR	ONE FORM A AND ONE FORM B, INDEPENDENT, OPTICALLY ISOLATED MOSFET SWITCHES IN A SINGLE PACKAGE, TAPE/REEL	Figure 5	Figure 6
LBA127	TWO INDEPENDENT 1 FORM A AND 1 FORM B OPTICALLY ISOLATED MOSFET SWITCHES IN A SINGLE PACKAGE, ATE	Figure 5	Figure 6
LBA127L	TWO INDEPENDENT 1 FORM A AND 1 FORM B OPTICALLY ISOLATED MOSFET SWITCHES IN A SINGLE PACKAGE, CURRENT LIMITING, ATEC	Figure 5	Figure 6
LBA127LS	TWO INDEPENDENT 1 FORM A AND 1 FORM B OPTICALLY ISOLATED MOSFET SWITCHES IN A SINGLE PACKAGE, CURRENT LIMITING, GULL WING	Figure 5	Figure 6
LBA127LSTR	TWO INDEPENDENT 1 FORM A AND 1 FORM B OPTICALLY ISOLATED MOSFET SWITCHES IN A SINGLE PACKAGE, CURRENT LIMITING, TAPE/REEL	Figure 5	Figure 6
LBA127P	TWO INDEPENDENT 1 FORM A AND 1 FORM B OPTICALLY ISOLATED MOSFET SWITCHES IN A SINGLE PACKAGE, FLATPACK	Figure 7	Figure 8

PCN1001 Appendix A

Part Number	Description	Current Marking	New Marking
LBA127PTR	TWO INDEPENDENT 1 FORM A AND 1 FORM B OPTICALLY ISOLATED MOSFET SWITCHES IN A SINGLE PACKAGE, FLATPACK, TAPE/REEL	Figure 7	Figure 8
LBA127S	TWO INDEPENDENT 1 FORM A AND 1 FORM B OPTICALLY ISOLATED MOSFET SWITCHES IN A SINGLE PACKAGE, GULL WING	Figure 5	Figure 6
LBA127STR	TWO INDEPENDENT 1 FORM A AND 1 FORM B OPTICALLY ISOLATED MOSFET SWITCHES IN A SINGLE PACKAGE, TAPE/REEL	Figure 5	Figure 6
LBA140	TWO INDEPENDENT 1 FORM A AND 1 FORM B OPTICALLY ISOLATED MOSFET SWITCHES IN A SINGLE PACKAGE, ATEC	Figure 5	Figure 6
LBA140P	TWO INDEPENDENT 1 FORM A AND 1 FORM B OPTICALLY ISOLATED MOSFET SWITCHES IN A SINGLE PACKAGE, FLATPACK	Figure 7	Figure 8
LBA140PTR	TWO INDEPENDENT 1 FORM A AND 1 FORM B OPTICALLY ISOLATED MOSFET SWITCHES IN A SINGLE PACKAGE, FLATPACK, TAPE/REEL	Figure 7	Figure 8
LBA140S	TWO INDEPENDENT 1 FORM A AND 1 FORM B OPTICALLY ISOLATED MOSFET SWITCHES IN A SINGLE PACKAGE, GULL WING	Figure 5	Figure 6
LBA140STR	TWO INDEPENDENT 1 FORM A AND 1 FORM B OPTICALLY ISOLATED MOSFET SWITCHES IN A SINGLE PACKAGE, TAPE/REEL	Figure 5	Figure 6
LBA145	OPTICALLY ISOLATED 1 FORM A (NORMALLY-OPEN) AND 1 FORM B (NORMALLY-CLOSED) BI-DIRECTIONAL AC/DC RELAYS IN A SINGLE PACKAGE, ATEC	Figure 5	Figure 6
LBA145P	OPTICALLY ISOLATED 1 FORM A (NORMALLY OPEN) AND 1 FORM B (NORMALLY CLOSED) BI-DIRECTIONAL AC/DC RELAY IN A FLATPACK PACKAGE	Figure 5	Figure 6
LBA145PTR	OPTICALLY ISOLATED 1 FORM A (NORMALLY OPEN) AND 1 FORM B (NORMALLY CLOSED) BI-DIRECTIONAL AC/DC RELAY IN A FLATPACK PACKAGE, TAPE/REEL	Figure 5	Figure 6
LBA145S	OPTICALLY ISOLATED 1 FORM A (NORMALLY-OPEN) AND 1 FORM B (NORMALLY-CLOSED) BI-DIRECTIONAL AC/DC RELAYS IN A SINGLE PACKAGE, GULL WING	Figure 5	Figure 6
LBA145STR	OPTICALLY ISOLATED 1 FORM A (NORMALLY-OPEN) AND 1 FORM B (NORMALLY-CLOSED) BI-DIRECTIONAL AC/DC RELAYS IN A SINGLE PACKAGE, TAPE/REEL	Figure 5	Figure 6
LBA147L	ONE FORM A AND ONE FORM B, INDEPENDENT, OPTICALLY ISOLATED MOSFET SWITCHES IN A SINGLE PACKAGE, CURRENT LIMITING, ATEC	Figure 5	Figure 6

PCN1001 Appendix A

Part Number	Description	Current Marking	New Marking
LBA147LS	ONE FORM A AND ONE FORM B, INDEPENDENT, OPTICALLY ISOLATED MOSFET SWITCHES IN A SINGLE PACKAGE, CURRENT LIMITING, GULLWING	Figure 5	Figure 6
LBA147LSTR	ONE FORM A AND ONE FORM B, INDEPENDENT, OPTICALLY ISOLATED MOSFET SWITCHES IN A SINGLE PACKAGE, CURRENT LIMITING, GULLWING, TAPE AND REEL	Figure 5	Figure 6
LBB106	TWO INDEPENDENT 1 FORM B OPTICALLY ISOLATED MOSFET SWITCHES IN A SINGLE PACKAGE, ATEC	Figure 5	Figure 6
LBB106S	TWO INDEPENDENT 1 FORM B OPTICALLY ISOLATED MOSFET SWITCHES IN A SINGLE PACKAGE, GULLWING	Figure 5	Figure 6
LBB106STR	TWO INDEPENDENT 1 FORM B OPTICALLY ISOLATED MOSFET SWITCHES IN A SINGLE PACKAGE, TAPE/REEL	Figure 5	Figure 6
LBB106X	TWO INDEPENDENT 1 FORM B OPTICALLY ISOLATED MOSFET SWITCHES IN A SINGLE PACKAGE, ATEC	Figure 5	Figure 6
LBB106XS	TWO INDEPENDENT 1 FORM B OPTICALLY ISOLATED MOSFET SWITCHES IN A SINGLE PACKAGE, GULLWING	Figure 5	Figure 6
LBB106XSTR	TWO INDEPENDENT 1 FORM B OPTICALLY ISOLATED MOSFET SWITCHES IN A SINGLE PACKAGE, TAPE/REEL	Figure 5	Figure 6
LBB107	TWO INDEPENDENT 1 FORM B OPTICALLY ISOLATED MOSFET SWITCHES IN A SINGLE PACKAGE	Figure 5	Figure 6
LBB107S	TWO INDEPENDENT 1 FORM B OPTICALLY ISOLATED MOSFET SWITCHES IN A SINGLE PACKAGE, GULLWING	Figure 5	Figure 6
LBB107STR	TWO INDEPENDENT 1 FORM B OPTICALLY ISOLATED MOSFET SWITCHES IN A SINGLE PACKAGE, TAPE/REEL	Figure 5	Figure 6
LBB107X	TWO INDEPENDENT 1 FORM B OPTICALLY ISOLATED MOSFET SWITCHES IN A SINGLE PACKAGE, ATEC	Figure 5	Figure 6
LBB107XS	TWO INDEPENDENT 1 FORM B OPTICALLY ISOLATED MOSFET SWITCHES IN A SINGLE PACKAGE, GULLWING	Figure 5	Figure 6
LBB107XSTR	TWO INDEPENDENT 1 FORM B OPTICALLY ISOLATED MOSFET SWITCHES IN A SINGLE PACKAGE, TAPE/REEL	Figure 5	Figure 6
LBB110	TWO INDEPENDENT 1 FORM B OPTICALLY ISOLATED MOSFET SWITCHES IN A SINGLE PACKAGE, ATEC	Figure 5	Figure 6

PCN1001 Appendix A

Part Number	Description	Current Marking	New Marking
LBB110P	TWO INDEPENDENT 1 FORM B OPTICALLY ISOLATED MOSFET SWITCHES IN A SINGLE PACKAGE, FLATPACK	Figure 7	Figure 8
LBB110PTR	TWO INDEPENDENT 1 FORM B OPTICALLY ISOLATED MOSFET SWITCHES IN A SINGLE PACKAGE, FLATPACK, TAPE/REEL	Figure 7	Figure 8
LBB110S	TWO INDEPENDENT 1 FORM B OPTICALLY ISOLATED MOSFET SWITCHES IN A SINGLE PACKAGE, GULL WING	Figure 5	Figure 6
LBB110STR	TWO INDEPENDENT 1 FORM B OPTICALLY ISOLATED MOSFET SWITCHES IN A SINGLE PACKAGE, TAPE/REEL	Figure 5	Figure 6
LBB111	TWO INDEPENDENT 1 FORM B OPTICALLY ISOLATED MOSFET SWITCHES IN A SINGLE PACKAGE, ATEC	Figure 5	Figure 6
LBB111S	TWO INDEPENDENT 1 FORM B OPTICALLY ISOLATED MOSFET SWITCHES IN A SINGLE PACKAGE, GULL WING	Figure 5	Figure 6
LBB111STR	TWO INDEPENDENT 1 FORM B OPTICALLY ISOLATED MOSFET SWITCHES IN A SINGLE PACKAGE, TAPE/REEL	Figure 5	Figure 6
LBB120	TWO INDEPENDENT 1 FORM B OPTICALLY ISOLATED MOSFET SWITCHES IN A SINGLE PACKAGE, ATEC	Figure 5	Figure 6
LBB120H	TWO INDEPENDENT 1 FORM B OPTICALLY ISOLATED MOSFET SWITCHES IN A SINGLE PACKAGE, ATEC	Figure 5	Figure 6
LBB120HS	TWO INDEPENDENT 1 FORM B OPTICALLY ISOLATED MOSFET SWITCHES IN A SINGLE PACKAGE, TAPE/REEL, ATEC	Figure 5	Figure 6
LBB120P	TWO INDEPENDENT 1 FORM B OPTICALLY ISOLATED MOSFET SWITCHES IN A SINGLE PACKAGE, FLATPACK	Figure 7	Figure 8
LBB120PTR	TWO INDEPENDENT 1 FORM B OPTICALLY ISOLATED MOSFET SWITCHES IN A SINGLE PACKAGE, FLATPACK, TAPE/REEL	Figure 7	Figure 8
LBB120S	TWO INDEPENDENT 1 FORM B OPTICALLY ISOLATED MOSFET SWITCHES IN A SINGLE PACKAGE, GULL WING	Figure 5	Figure 6
LBB120STR	TWO INDEPENDENT 1 FORM B OPTICALLY ISOLATED MOSFET SWITCHES IN A SINGLE PACKAGE, TAPE/REEL	Figure 5	Figure 6
LBB126	TWO INDEPENDENT 1 FORM B OPTICALLY ISOLATED MOSFET SWITCHES IN A SINGLE PACKAGE, ATEC	Figure 5	Figure 6
LBB126P	TWO INDEPENDENT 1 FORM B OPTICALLY ISOLATED MOSFET SWITCHES IN A SINGLE PACKAGE, FLATPACK	Figure 7	Figure 8

PCN1001 Appendix A

Part Number	Description	Current Marking	New Marking
LBB126PTR	TWO INDEPENDENT 1 FORM B OPTICALLY ISOLATED MOSFET SWITCHES IN A SINGLE PACKAGE, FLATPACK, TAPE/REEL	Figure 7	Figure 8
LBB126S	TWO INDEPENDENT 1 FORM B OPTICALLY ISOLATED MOSFET SWITCHES IN A SINGLE PACKAGE, GULL WING	Figure 5	Figure 6
LBB126STR	TWO INDEPENDENT 1 FORM B OPTICALLY ISOLATED MOSFET SWITCHES IN A SINGLE PACKAGE, TAPE/REEL	Figure 5	Figure 6
LBB127	TWO INDEPENDENT 1 FORM B OPTICALLY ISOLATED MOSFET SWITCHES IN A SINGLE PACKAGE, ATEC	Figure 5	Figure 6
LBB127P	TWO INDEPENDENT 1 FORM B OPTICALLY ISOLATED MOSFET SWITCHES IN A SINGLE PACKAGE, FLATPACK	Figure 7	Figure 8
LBB127PTR	TWO INDEPENDENT 1 FORM B OPTICALLY ISOLATED MOSFET SWITCHES IN A SINGLE PACKAGE, FLATPACK, TAPE/REEL	Figure 7	Figure 8
LBB127S	TWO INDEPENDENT 1 FORM B OPTICALLY ISOLATED MOSFET SWITCHES IN A SINGLE PACKAGE, GULL WING	Figure 5	Figure 6
LBB127STR	TWO INDEPENDENT 1 FORM B OPTICALLY ISOLATED MOSFET SWITCHES IN A SINGLE PACKAGE, TAPE/REEL	Figure 5	Figure 6
LBB182	TWO INDEPENDENT 1 FORM B OPTICALLY ISOLATED MOSFET SWITCHES IN A SINGLE PACKAGE, ATEC	Figure 5	Figure 6
LCA100	SINGLE POLE NORMALLY OPEN 1 FORM A OPTICALLY COUPLED MOSFET SWITCH, ATEC	Figure 3	Figure 4
LCA100L	SINGLE POLE NORMALLY OPEN 1 FORM A OPTICALLY COUPLED MOSFET SWITCH, CURRENT LIMITING , ATEC	Figure 3	Figure 4
LCA100LS	SINGLE POLE NORMALLY OPEN 1 FORM A OPTICALLY COUPLED MOSFET SWITCH, CURRENT LIMITING, GULL WING	Figure 3	Figure 4
LCA100LSTR	SINGLE POLE NORMALLY OPEN 1 FORM A OPTICALLY	Figure 3	Figure 4
LCA100S	SINGLE POLE NORMALLY OPEN 1 FORM A OPTICALLY COUPLED MOSFET SWITCH, GULLWING	Figure 3	Figure 4
LCA100STR	SINGLE POLE NORMALLY OPEN 1 FORM A OPTICALLY COUPLED MOSFET SWITCH, TAPE/REEL	Figure 3	Figure 4
LCA105	SINGLE POLE NORMALLY OPEN 1 FORM A OPTICALLY COUPLED MOSFET SWITCH, ATEC	Figure 3	Figure 4
LCA105L	SINGLE POLE NORMALLY OPEN 1 FORM A OPTICALLY COUPLED MOSFET SWITCH, CURRENT LIMITING, ATEC	Figure 3	Figure 4

PCN1001 Appendix A

Part Number	Description	Current Marking	New Marking
LCA105LS	SINGLE POLE NORMALLY OPEN 1 FORM A OPTICALLY COUPLED MOSFET SWITCH, CURRENT LIMITING, GULLWING	Figure 3	Figure 4
LCA105LSTR	SINGLE POLE NORMALLY OPEN 1 FORM A OPTICALLY COUPLED MOSFET SWITCH, CURRENT LIMITING, GULLWING TAPE/REEL	Figure 3	Figure 4
LCA110	SINGLE POLE NORMALLY OPEN 1 FORM A OPTICALLY COUPLED MOSFET SWITCH,ATEC	Figure 3	Figure 4
LCA110C	SINGLE POLE NORMALLY OPEN 1 FORM A OPTICALLY COUPLED MOSFET SWITCH, CRIDEN FOOTPRINT, ATEC	Figure 3	Figure 4
LCA110L	SINGLE POLE NORMALLY OPEN 1 FORM A OPTICALLY COUPLED MOSFET SWITCH, CURRENT LIMITING, ATEC	Figure 3	Figure 4
LCA110LS	SINGLE POLE NORMALLY OPEN 1 FORM A OPTICALLY COUPLED MOSFET SWITCH, CURRENT LIMITING, GULL WING	Figure 3	Figure 4
LCA110LSTR	SINGLE POLE NORMALLY OPEN 1 FORM A OPTICALLY COUPLED MOSFET SWITCH, CURRENT LIMITING, TAPE/REEL	Figure 3	Figure 4
LCA110S	SINGLE POLE NORMALLY OPEN 1 FORM A OPTICALLY COUPLED MOSFET SWITCH, GULL WING	Figure 3	Figure 4
LCA110STR	SINGLE POLE NORMALLY OPEN 1 FORM A OPTICALLY COUPLES MOSFET SWITCH, TAPE/REEL	Figure 3	Figure 4
LCA111	SINGLE POLE NORMALLY OPEN 1 FORM A OPTICALLY COUPLED MOSFET SWITCH, ATEC	Figure 3	Figure 4
LCA111S	SINGLE POLE NORMALLY OPEN 1 FORM A OPTICALLY COUPLED MOSFET SWITCH, GULL WING	Figure 3	Figure 4
LCA111STR	SINGLE POLE NORMALLY OPEN 1 FORM A OPTICALLY COUPLED MOSFET SWITCH, TAPE/REEL	Figure 3	Figure 4
LCA113	LOW LEAKAGE SINGLE POLE NORMALLY OPEN 1 FORM A OPTICALLY COUPLED MOSFET SWITCH, ATEC	Figure 3	Figure 4
LCA113S	LOW LEAKAGE SINGLE POLE NORMALLY OPEN 1 FORM A OPTICALLY COUPLED MOSFET SWITCH, GULL WING	Figure 3	Figure 4
LCA113STR	LOW LEAKAGE SINGLE POLE NORMALLY OPEN 1 FORM A OPTICALLY COUPLED MOSFET SWITCH, TAPE/REEL	Figure 3	Figure 4
LCA116L	SINGLE POLE NORMALLY OPEN 1 FORM A OPTICALLY COUPLED MOSFET SWITCH, CURRENT LIMITING, ATEC	Figure 3	Figure 4

PCN1001 Appendix A

Part Number	Description	Current Marking	New Marking
LCA116LS	SINGLE POLE NORMALLY OPEN 1 FORM A OPTICALLY COUPLED MOSFET SWITCH, CURRENT LIMITING, GULL WING	Figure 3	Figure 4
LCA116LSTR	SINGLE POLE NORMALLY OPEN 1 FORM A OPTICALLY COUPLED MOSFET SWITCH, CURRENT LIMITING, TAPE/REEL	Figure 3	Figure 4
LCA120	SINGLE POLE NORMALLY OPEN 1 FORM A OPTICALLY COUPLED MOSFET SWITCH, ATEC	Figure 3	Figure 4
LCA120ES	SINGLE POLE NORMALLY OPEN 1 FORM A OPTICALLY COUPLED MOSFET SWITCH, GULL WING	Figure 3	Figure 4
LCA120ESTR	SINGLE POLE NORMALLY OPEN 1 FORM A OPTICALLY COUPLED MOSFET SWITCH, TAPE/REEL	Figure 3	Figure 4
LCA120H	SINGLE POLE NORMALLY OPEN (1 FORM A) OPTICALLY COUPLED MOSFET SWITCH, ATEC	Figure 3	Figure 4
LCA120HS	SINGLE POLE NORMALLY OPEN (1 FORM A) OPTICALLY COUPLED MOSFET SWITCH, ATEC	Figure 3	Figure 4
LCA120L	SINGLE POLE NORMALLY OPEN 1 FORM A OPTICALLY COUPLED MOSFET SWITCH, CURRENT LIMITING, ATEC	Figure 3	Figure 4
LCA120LH	SINGLE POLE NORMALLY OPEN 1 FORM A OPTICALLY COUPLED MOSFET SWITCH, CURRENT LIMITING,ATEC	Figure 3	Figure 4
LCA120LS	SINGLE POLE NORMALLY OPEN 1 FORM A OPTICALLY COUPLED MOSFET SWITCH, CURRENT LIMITING, GULL WING	Figure 3	Figure 4
LCA120LSTR	SINGLE POLE NORMALLY OPEN 1 FORM A OPTICALLY COUPLED MOSFET SWITCH, CURRENT LIMITING, TAPE/REEL	Figure 3	Figure 4
LCA120S	SINGLE POLE NORMALLY OPEN 1 FORM A OPTICALLY COUPLED MOSFET SWITCH, GULL WING	Figure 3	Figure 4
LCA120STR	SINGLE POLE NORMALLY OPEN 1 FORM A OPTICALLY COUPLED MOSFET SWITCH, TAPE/REEL	Figure 3	Figure 4
LCA121	SINGLE POLE NORMALLY OPEN 1 FORM A OPTICALLY COUPLED MOSFET SWITCH, ATEC	Figure 3	Figure 4
LCA121S	SINGLE POLE NORMALLY OPEN 1 FORM A OPTICALLY COUPLED MOSFET SWITCH, GULL WING	Figure 3	Figure 4
LCA121STR	SINGLE POLE NORMALLY OPEN 1 FORM A OPTICALLY COUPLED MOSFET SWITCH, TAPE/REEL	Figure 3	Figure 4
LCA125	SINGLE POLE NORMALLY OPEN 1 FORM A OPTICALLY COUPLED MOSFET SWITCH, WITH LOW ON-RESISTANCE, ATEC	Figure 3	Figure 4

PCN1001 Appendix A

Part Number	Description	Current Marking	New Marking
LCA125C	SINGLE POLE NORMALLY OPEN 1 FORM A OPTICALLY COUPLED MOSFET SWITCH, WITH LOW ON-RESISTANCE, CRIDEN FOOTPRINT, ATEC	Figure 3	Figure 4
LCA125H	SINGLE POLE NORMALLY OPEN 1 FORM A OPTICALLY COUPLED MOSFET SWITCH, WITH LOW ON-RESISTANCE, ATEC	Figure 3	Figure 4
LCA125L	SINGLE POLE NORMALLY OPEN 1 FORM A OPTICALLY COUPLED MOSFET SWITCH, WITH LOW ON-RESISTANCE, CURRENT LIMITING, ATEC	Figure 3	Figure 4
LCA125LS	SINGLE POLE NORMALLY OPEN 1 FORM A OPTICALLY COUPLED MOSFET SWITCH, WITH LOW ON-RESISTANCE, CURRENT LIMITING	Figure 3	Figure 4
LCA125LSTR	SINGLE POLE NORMALLY OPEN 1 FORM A OPTICALLY COUPLED MOSFET SWITCH, WITH LOW ON-RESISTANCE, CURRENT LIMITING, TAPE/REEL, ATEC	Figure 3	Figure 4
LCA125S	SINGLE POLE NORMALLY OPEN 1 FORM A OPTICALLY COUPLED MOSFET SWITCH, WITH LOW ON-RESISTANCE, GULL WING	Figure 3	Figure 4
LCA125STR	SINGLE POLE NORMALLY OPEN 1 FORM A OPTICALLY COUPLED MOSFET SWITCH, WITH LOW ON-RESISTANCE, TAPE/REEL	Figure 3	Figure 4
LCA126	SINGLE POLE NORMALLY OPEN 1 FORM A OPTICALLY COUPLED MOSFET SWITCH, ATEC	Figure 3	Figure 4
LCA126S	SINGLE POLE NORMALLY OPEN 1 FORM A OPTICALLY COUPLED MOSFET SWITCH, GULL WING	Figure 3	Figure 4
LCA127	SINGLE POLE NORMALLY OPEN 1 FORM A OPTICALLY COUPLED MOSFET SWITCH, ATEC	Figure 3	Figure 4
LCA127L	SINGLE POLE NORMALLY OPEN 1 FORM A OPTICALLY COUPLED MOSFET SWITCH, CURRENT LIMITING ATEC	Figure 3	Figure 4
LCA127LS	SINGLE POLE NORMALLY OPEN 1 FORM A OPTICALLY COUPLED MOSFET SWITCH, CURRENT LIMITING, GULL WING	Figure 3	Figure 4
LCA127LSTR	SINGLE POLE NORMALLY OPEN 1 FORM A OPTICALLY COUPLED MOSFET SWITCH, CURRENT LIMITING, GULLWING TAPE AND REEL	Figure 3	Figure 4
LCA127S	SINGLE POLE NORMALLY OPEN 1 FORM A OPTICALLY COUPLED MOSFET SWITCH, GULL WING	Figure 3	Figure 4
LCA127STR	SINGLE POLE NORMALLY OPEN 1 FORM A OPTICALLY COUPLED MOSFET SWITCH, TAPE/REEL	Figure 3	Figure 4
LCA129	SINGLE POLE 1 FORM A OPTICALLY COUPLED MOSFET SWITCH, ATEC	Figure 3	Figure 4

PCN1001 Appendix A

Part Number	Description	Current Marking	New Marking
LCA129S	SINGLE POLE NORMALLY OPEN 1 FORM A OPTICALLY COUPLED MOSFET SWITCH, GULL WING	Figure 3	Figure 4
LCA129STR	SINGLE POLE NORMALLY OPEN 1 FORM A OPTICALLY COUPLED MOSFET SWITCH, TAPE/REEL	Figure 3	Figure 4
LCA131	LOW COST SINGLE POLE NORMALLY OPEN 1 FORM A, SPST OPTICALLY COUPLED MOSFET SWITCH, ATEC	Figure 3	Figure 4
LCA131B	LOW COST SINGLE POLE NORMALLY OPEN 1 FORM A, SPST OPTICALLY COUPLED MOSFET SWITCH, BUTT CUT	Figure 3	Figure 4
LCA145	SINGLE POLE NORMALLY OPEN 1 FORM A OPTICALLY COUPLED MOSFET SWITCH, ATEC	Figure 3	Figure 4
LCA145S	SINGLE POLE NORMALLY OPEN 1 FORM A OPTICALLY COUPLED MOSFET SWITCH, GULL WING	Figure 3	Figure 4
LCA145STR	SINGLE POLE NORMALLY OPEN 1 FORM A OPTICALLY COUPLED MOSFET SWITCH, TAPE/REEL	Figure 3	Figure 4
LCA146A	SINGLE POLE NORMALLY OPEN 1 FORM A OPTICALLY COUPLED MOSFET SWITCH, ATEC	Figure 3	Figure 4
LCA147L	SINGLE POLE NORMALLY OPEN 1 FORM A OPTICALLY COUPLED MOSFET SWITCH, ATEC	Figure 3	Figure 4
LCA147LS	SINGLE POLE NORMALLY OPEN 1 FORM A OPTICALLY COUPLED MOSFET SWITCH, CURRENT LIMITING, GULL WING	Figure 3	Figure 4
LCA147LSTR	SINGLE POLE NORMALLY OPEN 1 FORM A OPTICALLY COUPLED MOSFET SWITCH, CURRENT LIMITING, TAPE/REEL	Figure 3	Figure 4
LCA210	2 FORM A DPST DUAL POLE NORMALLY OPEN OPTICALLY ISOLATED MOSFET SWITCH, ATEC	Figure 3	Figure 4
LCA210L	2 FORM A (DPST) DUAL POLE NORMALLY OPEN OPTICALLY ISOLATED MOSFET SWITCH, ATEC	Figure 3	Figure 4
LCA210LS	2 FORM A (DPST) DUAL POLE NORMALLY OPEN OPTICALLY ISOLATED MOSFET SWITCH, GULLWING	Figure 3	Figure 4
LCA210LSTR	2 FORM A (DPST) DUAL POLE NORMALLY OPEN OPTICALLY ISOLATED MOSFET SWITCH, TAPE/REEL	Figure 3	Figure 4
LCA210S	2 FORM A DPST DUAL POLE NORMALLY OPEN OPTICALLY ISOLATED MOSFET SWITCH, GULL WING	Figure 3	Figure 4
LCA210STR	2 FORM A DPST DUAL POLE NORMALLY OPEN OPTICALLY ISOLATED MOSFET SWITCH, TAPE/REEL	Figure 3	Figure 4

PCN1001 Appendix A

Part Number	Description	Current Marking	New Marking
LCA211	2 FORM A DPST DUAL POLE NORMALLY OPEN OPTICALLY ISOLATED MOSFET SWITCH, ATEC	Figure 3	Figure 4
LCA211S	2 FORM A DPST DUAL POLE NORMALLY OPEN OPTICALLY ISOLATED MOSFET SWITCH, GULL WING	Figure 3	Figure 4
LCA211STR	2 FORM A DPST DUAL POLE NORMALLY OPEN OPTICALLY ISOLATED MOSFET SWITCH, TAPE/REEL	Figure 3	Figure 4
LCA220	2 FORM A DPST DUAL POLE NORMALLY OPEN OPTICALLY ISOLATED MOSFET SWITCH, ATEC	Figure 3	Figure 4
LCA220S	2 FORM A DPST DUAL POLE NORMALLY OPEN OPTICALLY ISOLATED MOSFET SWITCH, GULL WING	Figure 3	Figure 4
LCA220STR	2 FORM A DPST DUAL POLE NORMALLY OPEN OPTICALLY ISOLATED MOSFET SWITCH, GULL WING, TAPE/REEL	Figure 3	Figure 4
LCA222	2 FORM A DPST DUAL POLE NORMALLY OPEN OPTICALLY ISOLATED MOSFET SWITCH, ATEC	Figure 3	Figure 4
LCA222S	2 FORM A DPST DUAL POLE NORMALLY OPEN OPTICALLY ISOLATED MOSFET SWITCH, GULL WING	Figure 3	Figure 4
LCA222STR	2 FORM A DPST DUAL POLE NORMALLY OPEN OPTICALLY ISOLATED MOSFET SWITCH, TAPE/REEL	Figure 3	Figure 4
LCA700H	SINGLE POLE NORMALLY OPEN 1 FORM A OPTICALLY COUPLED MOSFET SWITCH, ATEC	Figure 3	Figure 4
LCA700HS	SINGLE POLE NORMALLY OPEN 1 FORM A OPTICALLY COUPLED MOSFET SWITCH, TAPE/REEL, ATEC	Figure 3	Figure 4
LCA710	SINGLE POLE NORMALLY OPEN 1 FORM A OPTICALLY ISOLATED COUPLED MOSFET SWITCH, ATEC	Figure 3	Figure 4
LCA710S	SINGLE POLE NORMALLY OPEN 1 FORM A OPTICALLY ISOLATED COUPLED MOSFET SWITCH, GULL WING	Figure 3	Figure 4
LCA710STR	SINGLE POLE NORMALLY OPEN 1 FORM A OPTICALLY ISOLATED COUPLED MOSFET SWITCH, TAPE/REEL	Figure 3	Figure 4
LCB106	SINGLE POLE NORMALLY CLOSED 1 FORM B OPTICALLY COUPLED MOSFET SWITCH, ATEC	Figure 3	Figure 4
LCB106S	SINGLE POLE NORMALLY CLOSED 1 FORM B OPTICALLY COUPLED MOSFET SWITCH, GULLWING	Figure 3	Figure 4
LCB106STR	SINGLE POLE NORMALLY CLOSED 1 FORM B OPTICALLY COUPLED MOSFET SWITCH, TAPE/REEL	Figure 3	Figure 4

PCN1001 Appendix A

Part Number	Description	Current Marking	New Marking
LCB106X	SINGLE POLE NORMALLY CLOSED 1 FORM B OPTICALLY COUPLED MOSFET SWITCH, ATEC	Figure 3	Figure 4
LCB106XS	SINGLE POLE NORMALLY CLOSED 1 FORM B OPTICALLY COUPLED MOSFET SWITCH, GULLWING	Figure 3	Figure 4
LCB106XSTR	SINGLE POLE NORMALLY CLOSED 1 FORM B OPTICALLY COUPLED MOSFET SWITCH, TAPE/REEL	Figure 3	Figure 4
LCB107	SINGLE POLE NORMALLY CLOSED 1 FORM B OPTICALLY COUPLED MOSFET SWITCH, ATEC	Figure 3	Figure 4
LCB107S	SINGLE POLE NORMALLY CLOSED 1 FORM B OPTICALLY COUPLED MOSFET SWITCH, GULLWING	Figure 3	Figure 4
LCB107STR	SINGLE POLE NORMALLY CLOSED 1 FORM B OPTICALLY COUPLED MOSFET SWITCH, TAPE/REEL	Figure 3	Figure 4
LCB107X	SINGLE POLE NORMALLY CLOSED 1 FORM B OPTICALLY COUPLED MOSFET SWITCH, ATEC	Figure 3	Figure 4
LCB107XS	SINGLE POLE NORMALLY CLOSED 1 FORM B OPTICALLY COUPLED MOSFET SWITCH, GULLWING	Figure 3	Figure 4
LCB107XSTR	SINGLE POLE NORMALLY CLOSED 1 FORM B OPTICALLY COUPLED MOSFET SWITCH, TAPE/REEL	Figure 3	Figure 4
LCB110	SINGLE POLE NORMALLY CLOSED 1 FORM B OPTICALLY COUPLED BI-DIRECTIONAL MOSFET SWITCH, ATEC	Figure 3	Figure 4
LCB110S	SINGLE POLE NORMALLY CLOSED 1 FORM B OPTICALLY COUPLED BI-DIRECTIONAL MOSFET SWITCH, GULL WING	Figure 3	Figure 4
LCB110STR	SINGLE POLE NORMALLY CLOSED 1 FORM B OPTICALLY COUPLED BI-DIRECTIONAL MOSFET SWITCH, TAPE/REEL	Figure 3	Figure 4
LCB111	SINGLE POLE NORMALLY CLOSED 1 FORM B OPTICALLY COUPLED BI-DIRECTIONAL MOSFET SWITCH, ATEC	Figure 3	Figure 4
LCB111S	SINGLE POLE NORMALLY CLOSED 1 FORM B OPTICALLY COUPLED BI-DIRECTIONAL MOSFET SWITCH, GULL WING	Figure 3	Figure 4
LCB111STR	SINGLE POLE NORMALLY CLOSED 1 FORM B OPTICALLY COUPLED BI-DIRECTIONAL MOSFET SWITCH, TAPE/REEL	Figure 3	Figure 4
LCB120	SINGLE POLE NORMALLY CLOSED 1 FORM B OPTICALLY COUPLED BI-DIRECTIONAL MOSFET SWITCH, ATEC	Figure 3	Figure 4
LCB120H	SINGLE POLE NORMALLY CLOSED 1 FORM B OPTICALLY COUPLED BI-DIRECTIONAL MOSFET SWITCH, ATEC	Figure 3	Figure 4

PCN1001 Appendix A

Part Number	Description	Current Marking	New Marking
LCB120S	SINGLE POLE NORMALLY CLOSED 1 FORM B OPTICALLY COUPLED BI-DIRECTIONAL MOSFET SWITCH, GULL WING	Figure 3	Figure 4
LCB120STR	SINGLE POLE NORMALLY CLOSED 1 FORM B OPTICALLY COUPLED BI-DIRECTIONAL MOSFET SWITCH, TAPE/REEL	Figure 3	Figure 4
LCB126	SINGLE POLE NORMALLY CLOSED 1 FORM B OPTICALLY COUPLED BI-DIRECTIONAL MOSFET SWITCH, ATEC	Figure 3	Figure 4
LCB126S	SINGLE POLE NORMALLY CLOSED 1 FORM B OPTICALLY COUPLED BI-DIRECTIONAL MOSFET SWITCH, GULL WING	Figure 3	Figure 4
LCB126STR	SINGLE POLE NORMALLY CLOSED 1 FORM B OPTICALLY COUPLED BI-DIRECTIONAL MOSFETR SWITCH, TAPE/REEL	Figure 3	Figure 4
LCB127	SINGLE POLE NORMALLY CLOSED 1 FORM B OPTICALLY COUPLED MOSFET SWITCH, ATEC	Figure 3	Figure 4
LCB127S	SINGLE POLE NORMALLY CLOSED 1 FORM B OPTICALLY COUPLED MOSFET SWITCH, GULL WING	Figure 3	Figure 4
LCB127STR	SINGLE POLE NORMALLY CLOSED 1 FORM B OPTICALLY COUPLED MOSFET SWITCH, TAPE/REEL	Figure 3	Figure 4
LCC110	OPTICALLY COUPLED, 1 POLE, DOUBLE THROW 1 FORM C BI-DIRECTIONAL AC/DC SWITCH, ATEC	Figure 5	Figure 6
LCC110B	OPTICALLY COUPLED, 1 POLE, DOUBLE THROW 1 FORM C BI-DIRECTIONAL AC/DC SWITCH, BUTT CUT	Figure 5	Figure 6
LCC110H	OPTICALLY COUPLED, 1 POLE, DOUBLE THROW 1 FORM C, SPDT BIDIRECTIONAL AC/DC SWITCH, ATEC	Figure 5	Figure 6
LCC110HS	OPTICALLY COUPLED, 1 POLE, DOUBLE THROW 1 FORM C, SPDT BIDIRECTIONAL AC/DC SWITCH, ATEC	Figure 5	Figure 6
LCC110P	OPTICALLY COUPLED, 1 POLE, DOUBLE THROW 1 FORM C BI-DIRECTIONAL AC/DC SWITCH, FLATPACK	Figure 7	Figure 8
LCC110PTR	OPTICALLY COUPLED, 1 POLE, DOUBLE THROW 1 FORM C BI-DIRECTIONAL AC/DC SWITCH, FLATPACK, TAPE/REEL	Figure 7	Figure 8
LCC110S	OPTICALLY COUPLED, 1 POLE, DOUBLE THROW 1 FORM C BI-DIRECTIONAL AC/DC SWITCH, GULL WING	Figure 5	Figure 6
LCC110STR	OPTICALLY COUPLED, 1 POLE, DOUBLE THROW 1 FORM C BI-DIRECTIONAL AC/DC SWITCH, TAPE/REEL	Figure 5	Figure 6
LCC120	OPTICALLY COUPLED, 1 POLE, DOUBLE THROW 1 FORM C BI-DIRECTIONAL AC/DC SWITCH, ATEC	Figure 5	Figure 6

PCN1001 Appendix A

Part Number	Description	Current Marking	New Marking
LCC120H	OPTICALLY COUPLED, 1 POLE, DOUBLE THROW 1 FORM C BI-DIRECTIONAL AC/DC SWITCH, ATEC	Figure 5	Figure 6
LCC120HS	OPTICALLY COUPLED, 1 POLE, DOUBLE THROW 1 FORM C BI-DIRECTIONAL AC/DC SWITCH, TAPE/REEL, ATEC	Figure 5	Figure 6
LCC120S	OPTICALLY COUPLED, 1 POLE, DOUBLE THROW 1 FORM C BI-DIRECTIONAL AC/DC SWITCH, GULL WING	Figure 5	Figure 6
LCC120STR	OPTICALLY COUPLED, 1 POLE, DOUBLE THROW 1 FORM C BI-DIRECTIONAL AC/DC SWITCH, TAPE/REEL	Figure 5	Figure 6
LDA100	A BIDIRECTIONAL INPUT OPTOCOUPLER, ATEC	Figure 5	Figure 6
LDA100S	A BIDIRECTIONAL INPUT OPTOCOUPLER, GULL WING	Figure 5	Figure 6
LDA100STR	A BI-DIRECTIONAL LED INPUT OPTOCOUPLER, TAPE/REEL	Figure 5	Figure 6
LDA101	A UNIDIRECTIONAL INPUT OPTOCOUPLER, ATEC	Figure 5	Figure 6
LDA101S	A UNIDIRECTIONAL INPUT OPTOCOUPLER, GULL WING	Figure 5	Figure 6
LDA101STR	A UNIDIRECTIONAL INPUT OPTOCOUPLER, TAPE/REEL	Figure 5	Figure 6
LDA110	A BI-DIRECTIONAL LED INPUT OPTOCOUPLER, ATEC	Figure 5	Figure 6
LDA110S	A BI-DIRECTIONAL LED INPUT OPTOCOUPLER, GULL WING	Figure 5	Figure 6
LDA110STR	A BI-DIRECTIONAL LED INPUT OPTOCOUPLER, TAPE/REEL	Figure 5	Figure 6
LDA111	A SINGLE LED INPUT OPTOCOUPLER, ATEC	Figure 5	Figure 6
LDA111S	A SINGLE LED INPUT OPTOCOUPLER, GULL WING	Figure 5	Figure 6
LDA111STR	A SINGLE LED INPUT OPTOCOUPLER, TAPE/REEL	Figure 5	Figure 6
LDA200	TWO BI-DIRECTIONAL OPTOCOUPPLERS, ATEC	Figure 7	Figure 8
LDA200S	TWO BI-DIRECTIONAL INPUT OPTOCOUPPLERS, GULL WING	Figure 7	Figure 8
LDA200STR	TWO BI-DIRECTIONAL INPUT OPTOCOUPPLERS, TAPE/REEL	Figure 7	Figure 8
LDA201	TWO UNIDIRECTIONAL INPUT OPTOCOUPPLERS, ATEC	Figure 7	Figure 8
LDA201S	TWO UNIDIRECTIONAL INPUT OPTOCOUPPLERS, GULL WING	Figure 7	Figure 8
LDA210	TWO BI-DIRECTIONAL LED INPUT OPTOCOUPPLERS, ATEC	Figure 7	Figure 8
LDA210S	TWO BI-DIRECTIONAL LED INPUT OPTOCOUPPLERS, GULL	Figure 7	Figure 8
LDA210STR	TWO BI-DIRECTIONAL LED INPUT OPTOCOUPPLERS,	Figure 7	Figure 8

PCN1001 Appendix A

Part Number	Description	Current Marking	New Marking
LDA211	TWO BI-DIRECTIONAL LED INPUT OPTOCOUPERS, ATEC	Figure 7	Figure 8
LDA211S	TWO BI-DIRECTIONAL LED INPUT OPTOCOUPERS, GULL WING	Figure 7	Figure 8
LIA100	LINEAR ISOLATION AMPLIFIER, PTO	Figure 17	Figure 18
LIA100PTR	LINEAR ISOLATION AMPLIFIER, PTO, TAPE/REEL	Figure 13	Figure 14
LIA101	LINEAR ISOLATION AMPLIFIER, PTO	Figure 17	Figure 18
LIA101P	LINEAR ISOLATION AMPLIFIER, FLATPACK, PTO	Figure 13	Figure 14
LIA101PTR	LINEAR ISOLATION AMPLIFIER, FLATPACK,PTO,TAPE/REEL	Figure 13	Figure 14
LOC110	OPTICALLY COUPLED DUAL LINEAR OPTOCOUPLER, PTO	Figure 23	Figure 24
LOC110P	OPTICALLY COUPLED DUAL LINEAR OPTOCOUPLER, FLATPACK, PTO	Figure 25	Figure 26
LOC110PTR	OPTICALLY COUPLED DUAL LINEAR OPTOCOUPLER, FLATPACK, TAPE/REEL, PTO	Figure 25	Figure 26
LOC110S	OPTICALLY COUPLED DUAL LINEAR OPTOCOUPLER, GULLWING, PTO	Figure 23	Figure 24
LOC110STR	OPTICALLY COUPLED DUAL LINEAR OPTOCOUPLER, TAPE/REEL, PTO	Figure 23	Figure 24
LOC111	OPTICALLY COUPLED DUAL LINEAR OPTOCOUPLER, PTO	Figure 23	Figure 24
LOC111P	OPTICALLY COUPLED DUAL LINEAR OPTOCOUPLER 8 PIN FLATPACK	Figure 25	Figure 26
LOC111PTR	OPTICALLY COUPLED DUAL LINEAR OPTOCOUPLER, FLATPACK, TAPE/REEL, PTO	Figure 25	Figure 26
LOC111S	OPTICALLY COUPLED DUAL LINEAR OPTOCOUPLER, GULLWING, PTO	Figure 23	Figure 24
LOC111STR	OPTICALLY COUPLED DUAL LINEAR OPTOCOUPLER, TAPE/REEL, PTO	Figure 23	Figure 24
LOC112	OPTICALLY COUPLED DUAL LINEAR OPTOCOUPLER, PTO	Figure 23	Figure 24
LOC112P	OPTICALLY COUPLED DUAL LINEAR OPTOCOUPLER, FLATPACK, PTO	Figure 25	Figure 26
LOC112S	OPTICALLY COUPLED DUAL LINEAR OPTOCOUPLER,GULLWING,PTO	Figure 23	Figure 24
LOC112STR	OPTICALLY COUPLED DUAL LINEAR OPTOCOUPLER,GULLWING PTO,TAPE/REEL	Figure 23	Figure 24
LOC121	OPTICALLY COUPLED DUAL LINEAR OPTOCOUPLER, PTO	Figure 23	Figure 24
LOC121S	OPTICALLY COUPLED DUAL LINEAR OPTOCOUPLER, GULLWING, PTO	Figure 23	Figure 24
LOC121STR	OPTICALLY COUPLED DUAL LINEAR OPTOCOUPLER, TAPE/REEL, PTO	Figure 23	Figure 24
LOC210P	OPTICALLY COUPLED DUAL LINEAR OPTOCOUPLER, FLATPACK, PTO	Figure 27	Figure 28

PCN1001 Appendix A

Part Number	Description	Current Marking	New Marking
LOC210PTR	OPTICALLY COUPLED DUAL LINEAR OPTOCOUPLER, FLATPACK, TAPE/REEL, PTO	Figure 27	Figure 28
LOC211P	OPTICALLY COUPLED DUAL LINEAR OPTOCOUPLER, FLATPACK, PTO	Figure 27	Figure 28
LOC211P-001	OPTICALLY COUPLED DUAL LINEAR OPTOCOUPLER, FLATPACK	Figure 27	Figure 28
LOC211PTR	OPTICALLY COUPLED DUAL LINEAR OPTOCOUPLER, FLATPACK, PTO	Figure 27	Figure 28
LOC215P	OPTICALLY COUPLED DUAL LINEAR OPTOCOUPLER, FLATPACK, PTO	Figure 27	Figure 28
OAA160	SINGLE POLE NORMALLY OPEN 2 FORM A OPTICALLY COUPLED MOSFET SWITCH, ATEC	Figure 5	Figure 6
OAA160P	SINGLE POLE NORMALLY OPEN 2 FORM A OPTICALLY COUPLED MOSFET SWITCH, ATEC, FLATPACK	Figure 7	Figure 8
OAA160PTR	SINGLE POLE NORMALLY OPEN 2 FORM A OPTICALLY COUPLED MOSFET SWITCH, FLATPACK, TAPE/REEL	Figure 7	Figure 8
OAA160S	SINGLE POLE NORMALLY OPEN 2 FORM A OPTICALLY COUPLED MOSFET SWITCH, GULL WING	Figure 5	Figure 6
OAA160STR	SINGLE POLE NORMALLY OPEN 2 FORM A OPTICALLY COUPLED MOSFET SWITCH, TAPE/REEL	Figure 5	Figure 6
OMA130	SINGLE POLE NORMALLY OPEN 1 FORM A OPTICALLY COUPLED MOSFET SWITCH, ATEC	Figure 3	Figure 4
OMA132	SINGLE POLE NORMALLY OPEN 1 FORM A OPTICALLY COUPLED MOSFET SWITCH, ATEC	Figure 3	Figure 4
OMA132S	SINGLE POLE NORMALLY OPEN 1 FORM A OPTICALLY COUPLED MOSFET SWITCH, GULL WING	Figure 3	Figure 4
OMA134H	1 FORM A MOSFET SSR IN 6-PIN PACKAGE	Figure 3	Figure 4
OMA160	SINGLE POLE NORMALLY OPEN 1 FORM A OPTICALLY COUPLED MOSFET SWITCH, ATEC	Figure 3	Figure 4
OMA160C	SINGLE POLE NORMALLY OPEN 1 FORM A ,SPST OPTICALL COUPLED MOSFET SWITCH, ATEC	Figure 3	Figure 4
OMA160S	SINGLE POLE NORMALLY OPEN 1 FORM A OPTICALLY COUPLED MOSFET SWITCH, GULL WING	Figure 3	Figure 4
OMA160STR	SINGLE POLE NORMALLY OPEN 1 FORM A OPTICALLY COUPLED MOSFET SWITCH, TAPE/REEL	Figure 3	Figure 4
OMA166C	SINGLE POLE NORMALLY OPEN 1 FORM A, SPST OPTICALL COUPLED MOSFET SWITCH	Figure 3	Figure 4
OMA250	DUAL POLE NORMALLY OPEN 2 FORM A DPST OPTICALLY ISOLATED MOSFET SWITCH, ATEC	Figure 5	Figure 6

PCN1001 Appendix A

Part Number	Description	Current Marking	New Marking
OMA250B	DUAL POLE NORMALLY OPEN 2 FORM A DPST OPTICALLY ISOLATED MOSFET SWITCH, BUTT CUT	Figure 5	Figure 6
OMA260	DOUBLE POLE NORMALLY OPEN 2 FORM A (DPST) OPTICALLY COUPLED MOSFET SWITCH, ATEC	Figure 5	Figure 6
OMA260S	DOUBLE POLE NORMALLY OPEN 2 FORM A (DPST) OPTICALLY COUPLED MOSFET SWITCH, GULLWING	Figure 5	Figure 6
OMA260STR	DOUBLE POLE NORMALLY OPEN 2 FORM A (DPST) OPTICALLY COUPLED MOSFET SWITCH, GULLWING, TAPE/REEL	Figure 5	Figure 6
OMD110	SINGLE POLE NORMALLY OPEN 1 FORM A OPTICALLY COUPLED MOSFET SWITCH, ATEC	Figure 3	Figure 4
OMD110L	SINGLE POLE NORMALLY OPEN 1 FORM A OPTICALLY COUPLED MOSFET SWITCH, CURRENT LIMITING, ATEC	Figure 3	Figure 4
OMD110S	SINGLE POLE NORMALLY OPEN 1 FORM A OPTICALLY COUPLED MOSFET SWITCH, GULL WING	Figure 3	Figure 4
OMD110STR	SINGLE POLE NORMALLY OPEN 1 FORM A OPTICALLY COUPLED MOSFET SWITCH, TAPE/REEL	Figure 3	Figure 4
OMD170	SINGLE POLE NORMALLY OPEN 1 FORM A OPTICALLY COUPLED MOSFET SWITCH, ATEC	Figure 3	Figure 4
OMD170S	SINGLE POLE NORMALLY OPEN 1 FORM A OPTICALLY COUPLED MOSFET SWITCH, GULL WING	Figure 3	Figure 4
OMD170STR	SINGLE POLE NORMALLY OPEN 1 FORM A OPTICALLY COUPLED MOSFET SWITCH, TAPE/REEL	Figure 3	Figure 4
PAA110	TWO INDEPENDENT 1 FORM A OPTICALLY ISOLATED MOSFET SWITCHES IN A SINGLE PACKAGE, ATEC	Figure 5	Figure 6
PAA110L	TWO INDEPENDENT 1 FORM A OPTICALLY ISOLATED MOSFET SWITCHES IN A SINGLE PACKAGE, CURRENT LIMITING, ATEC	Figure 5	Figure 6
PAA110LS	TWO INDEPENDENT 1 FORM A OPTICALLY ISOLATED MOSFET SWITCHES IN A SINGLE PACKAGE, CURRENT LIMITING, GULL WING	Figure 5	Figure 6
PAA110LSTR	TWO INDEPENDENT 1 FORM A OPTICALLY ISOLATED MOSFET SWITCHES IN A SINGLE PACKAGE,CURRENT LIMITING,GULL WING,TAPE/REEL	Figure 5	Figure 6
PAA110P	TWO INDEPENDENT 1 FORM A OPTICALLY ISOLATED MOSFET SWITCHES IN A SINGLE PACKAGE, FLATPACK	Figure 7	Figure 8

PCN1001 Appendix A

Part Number	Description	Current Marking	New Marking
PAA110PL	TWO INDEPENDENT 1 FORM A OPTICALLY ISOLATED MOSFET SWITCHES IN A SINGLE PACKAGE, CURRENT LIMITING, FLATPACK	Figure 7	Figure 8
PAA110PLTR	TWO INDEPENDENT 1 FORM A OPTICALLY ISOLATED MOSFET SWITCHES IN A SINGLE PACKAGE, CURRENT LIMITING, FLATPACK, TAPE/REEL	Figure 7	Figure 8
PAA110S	TWO INDEPENDENT 1 FORM A OPTICALLY ISOLATED MOSFET SWITCHES IN A SINGLE PACKAGE, GULL WING	Figure 5	Figure 6
PAA110STR	TWO INDEPENDENT 1 FORM A OPTICALLY ISOLATED MOSFET SWITCHES IN A SINGLE PACKAGE, TAPE/REEL	Figure 5	Figure 6
PAA140	TWO INDEPENDENT 1 FORM A OPTICALLY ISOLATED MOSFET SWITCHES IN A SINGLE PACKAGE, ATEC	Figure 5	Figure 6
PAA140P	TWO INDEPENDENT 1 FORM A OPTICALLY ISOLATED MOSFET SWITCHES IN A SINGLE PACKAGE, FLATPACK	Figure 5	Figure 6
PAA140PTR	TWO INDEPENDENT 1 FORM A OPTICALLY ISOLATED MOSFET SWITCHES IN A SINGLE PACKAGE, FLATPACK, TAPE/REEL	Figure 7	Figure 8
PAA140S	TWO INDEPENDENT 1 FORM A OPTICALLY ISOLATED MOSFET SWITCHES IN A SINGLE PACKAGE, GULL WING	Figure 5	Figure 6
PAA140STR	TWO INDEPENDENT 1 FORM A OPTICALLY ISOLATED MOSFET SWITCHES IN A SINGLE PACKAGE, TAPE/REEL	Figure 5	Figure 6
PAA150	TWO INDEPENDENT 1 FORM A OPTICALLY ISOLATED MOSFET SWITCHES IN A SINGLE PACKAGE, ATEC	Figure 5	Figure 6
PAA150P	TWO INDEPENDENT 1 FORM A OPTICALLY ISOLATED MOSFET SWITCHES IN A SINGLE PACKAGE, FLATPACK	Figure 7	Figure 8
PAA150PTR	TWO INDEPENDENT 1 FORM A OPTICALLY ISOLATED MOSFET SWITCHES IN A SINGLE PACKAGE, FLATPACK, TAPE/REEL	Figure 7	Figure 8
PAA150S	TWO INDEPENDENT 1 FORM A OPTICALLY ISOLATED MOSFET SWITCHES IN A SINGLE PACKAGE, GULL WING	Figure 5	Figure 6
PAA150STR	TWO INDEPENDENT 1 FORM A OPTICALLY ISOLATED MOSFET SWITCHES IN A SINGLE PACKAGE, ATEC, TAPE/REEL.	Figure 5	Figure 6
PBA150	TWO INDEPENDENT 1 FORM A AND 1 FORM B OPTICALLY ISOLATED MOSFET SWITCHES IN A SINGLE PACKAGE, ATEC	Figure 5	Figure 6
PBA150S	TWO INDEPENDENT 1 FORM A AND 1 FORM B OPTICALLY ISOLATED MOSFET SWITCHES IN A SINGLE PACKAGE, GULLWING	Figure 5	Figure 6

PCN1001 Appendix A

Part Number	Description	Current Marking	New Marking
PBA150STR	TWO INDEPENDENT 1 FORM A AND 1 FORM B OPTICALLY ISOLATED MOSFET SWITCHES IN A SINGLE PACKAGE, TAPE/REEL	Figure 5	Figure 6
PBB150	TWO INDEPENDENT 1 FORM B OPTICALLY ISOLATED MOSFET SWITCHES IN A SINGLE PACKAGE, ATEC	Figure 5	Figure 6
PBB150P	TWO INDEPENDENT 1 FORM B OPTICALLY ISOLATED MOSFET SWITCHES IN A SINGLE PACKAGE, FLATPACK	Figure 7	Figure 8
PBB150PTR	TWO INDEPENDENT 1 FORM B OPTICALLY ISOLATED MOSFET SWITCHES IN A SINGLE PACKAGE, FLATPACK, TAPE/REEL	Figure 7	Figure 8
PBB150S	TWO INDEPENDENT 1 FORM B OPTICALLY ISOLATED MOSFET SWITCHES IN A SINGLE PACKAGE, GULLWING	Figure 5	Figure 6
PBB150STR	TWO INDEPENDENT 1 FORM B OPTICALLY ISOLATED MOSFET SWITCHES IN A SINGLE PACKAGE, GULLWING, TAPE/REEL	Figure 5	Figure 6
PD1201	ZERO CROSSING, OPTICALLY ISOLATED SOLID STATE RELAY DRIVING SMALL AC LOADS UP TO 1 AMP AND 400V PEAK, ATEC	Figure 11	Figure 12
PD1201H	ZERO CROSSING, OPTICALLY ISOLATED SOLID STATE RELAY DRIVING SMALL AC LOADS UP TO 1 AMP AND 400V PEAK, GULLWING, ATEC	Figure 11	Figure 12
PD1201HS	ZERO CROSSING, OPTICALLY ISOLATED SOLID STATE RELAY DRIVING SMALL AC LOADS UP TO 1 AMP AND 400V PEAK, TAPE/REEL, ATEC	Figure 11	Figure 12
PD1201S	ZERO CROSSING, OPTICALLY ISOLATED SOLID STATE RELAY DRIVING SMALL AC LOADS UP TO 1 AMP AND 400V PEAK	Figure 11	Figure 12
PD1201X2	ZERO CROSSING, OPTICALLY ISOLATED, VOLTAGE CONTROLLED SOLID STATE RELAY, ATEC	Figure 11	Figure 12
PD2401	ZERO CROSSING, OPTICALLY ISOLATED SOLID STATE RELAY FOR DRIVING SMALL AC LOADS UP TO 1 AMP AND 500V PEAK. ATEC	Figure 11	Figure 12
PD2401X2	ZERO CROSSING, OPTICALLY ISOLATED, VOLTAGE CONTROLLED SOLID STATE RELAY, ATEC	Figure 11	Figure 12
PD2401X7	AC SOLID STATE SWITCH UTILIZING DUAL POWER SCR OUTPUTS, ATEC	Figure 11	Figure 12
PD2601	ZERO CROSSING, OPTICALLY ISOLATED SOLID STATE RELAY FOR DRIVING SMALL AC LOADS UP TO 1AMP AND 600V PEAK, ATEC	Figure 11	Figure 12
PD2601X2	ZERO CROSSING, OPTICALLY ISOLATED, VOLTAGE CONTROLLED SOLID STATE RELAY, ATEC	Figure 11	Figure 12

PCN1001 Appendix A

Part Number	Description	Current Marking	New Marking
PLA110	SINGLE POLE NORMALLY OPEN 1 FORM A OPTICALLY COUPLED MOSFET SWITCH,ATEC	Figure 3	Figure 4
PLA110F	SINGLE POLE NORMALLY OPEN 1 FORM A OPTICALLY COUPLED MOSFET SWITCH, ATEC	Figure 3	Figure 4
PLA110L	SINGLE POLE NORMALLY OPEN 1 FORM A OPTICALLY COUPLED MOSFET SWITCH, CURRENT LIMITING, ATEC	Figure 3	Figure 4
PLA110LS	SINGLE POLE NORMALLY OPEN 1 FORM A OPTICALLY COUPLED MOSFET SWITCH, CURRENT LIMITING, GULL WING	Figure 3	Figure 4
PLA110LSTR	SINGLE POLE NORMALLY OPEN 1 FORM A OPTICALLY COUPLED MOSFET SWITCH, CURRENT LIMITING, TAPE/REEL	Figure 3	Figure 4
PLA110S	SINGLE POLE NORMALLY OPEN 1 FORM A OPTICALLY COUPLED MOSFET SWITCH, GULL WING	Figure 3	Figure 4
PLA110STR	SINGLE POLE NORMALLY OPEN 1 FORM A OPTICALLY COUPLED MOSFET SWITCH, GULL WING, TAPE/REEL	Figure 3	Figure 4
PLA110X1	SINGLE POLE NORMALLY OPEN 1 FORM A OPTICALLY COUPLED MOSFET SWITCH, ATEC	Figure 3	Figure 4
PLA112	SINGLE POLE NORMALLY OPEN (1 FORM A) OPTICALLY COUPLED MOSFET SWITCH, ATEC	Figure 3	Figure 4
PLA112S	SINGLE POLE NORMALLY OPEN (1 FORM A) OPTICALLY COUPLED MOSFET SWITCH, GULLWING	Figure 3	Figure 4
PLA112STR	SINGLE POLE NORMALLY OPEN (1 FORM A) OPTICALLY COUPLED MOSFET SWITCH, GULLWING,TAPE/REEL	Figure 3	Figure 4
PLA119	SINGLE POLE NORMALLY OPEN 1 FORM A OPTICALLY COUPLED MOSFET SWITCH	Figure 3	Figure 4
PLA119S	SINGLE POLE NORMALLY OPEN 1 FORM A OPTICALLY COUPLED MOSFET SWITCH.	Figure 3	Figure 4
PLA119STR	SINGLE POLE NORMALLY OPEN 1 FORM A OPTICALLY COUPLED MOSFET SWITCH,TAPE/REEL.	Figure 3	Figure 4
PLA132	1 FORM A MOSFET SSR IN A 6 PIN PACKAGE, ATEC	Figure 3	Figure 4
PLA132S	1 FORM A MOSFET SSR IN A 6 PIN PACKAGE	Figure 3	Figure 4
PLA132STR	1 FORM A MOSFET SSR IN A 6 PIN PACKAGE, TAPE/REEL	Figure 3	Figure 4
PLA132X	1 FORM A MOSFET SSR IN A 6 PIN PACKAGE, ATEC	Figure 3	Figure 4
PLA132XS	1 FORM A MOSFET SSR IN A 6 PIN PACKAGE	Figure 3	Figure 4
PLA132XSTR	1 FORM A MOSFET SSR IN A 6 PIN PACKAGE, TAPE AND REEL	Figure 3	Figure 4
PLA134	1 FORM A MOSFET SSR IN A 6 PIN PACKAGE	Figure 3	Figure 4
PLA134S	1 FORM A MOSFET SSR IN A 6 PIN PACKAGE	Figure 3	Figure 4

PCN1001 Appendix A

Part Number	Description	Current Marking	New Marking
PLA134STR	1 FORM A MOSFET SSR IN A 6 PIN PACKAGE, TAPE/REEL ATEC	Figure 3	Figure 4
PLA140	SINGLE POLE NORMALLY OPEN 1 FORM A OPTICALLY COUPLED MOSFET SWITCH, ATEC	Figure 3	Figure 4
PLA140L	SINGLE POLE NORMALLY OPEN 1 FORM A OPTICALLY COUPLED MOSFET SWITCH, CURRENT LIMITING, ATEC	Figure 3	Figure 4
PLA140LS	SINGLE POLE NORMALLY OPEN 1 FORM A OPTICALLY COUPLED MOSFET SWITCH, CURRENT LIMITING, GULL WING	Figure 3	Figure 4
PLA140LSTR	SINGLE POLE NORMALLY OPEN 1 FORM A OPTICALLY COUPLED MOSFET SWITCH, CURRENT LIMITING, TAPE/REEL	Figure 3	Figure 4
PLA140S	SINGLE POLE NORMALLY OPEN 1 FORM A OPTICALLY COUPLED MOSFET SWITCH , GULL WING	Figure 3	Figure 4
PLA140STR	SINGLE POLE NORMALLY OPEN 1 FORM A OPTICALLY COUPLED MOSFET SWITCH, TAPE/REEL	Figure 3	Figure 4
PLA140V	SINGLE POLE NORMALLY OPEN 1 FORM A OPTICALLY COUPLED MOSFET SWITCH	Figure 3	Figure 4
PLA141	SINGLE POLE NORMALLY OPEN 1 FORM A OPTICALLY COUPLED MOSFET SWITCH, ATEC	Figure 3	Figure 4
PLA141V	SINGLE POLE NORMALLY OPEN 1 FORM A OPTICALLY COUPLED MOSFET SWITCH, ATEC	Figure 3	Figure 4
PLA143	SINGLE POLE NORMALLY OPEN 1 FORM A OPTICALLY COUPLED MOSFET SWITCH, ATEC	Figure 3	Figure 4
PLA143S	SINGLE POLE NORMALLY OPEN 1 FORM A OPTICALLY COUPLED MOSFET SWITCH, GULL WING	Figure 3	Figure 4
PLA143STR	SINGLE POLE NORMALLY OPEN 1 FORM A OPTICALLY COUPLED MOSFET SWITCH, TAPE/REEL	Figure 3	Figure 4
PLA144	SINGLE POLE NORMALLY OPEN (1 FORM A) OPTICALLY COUPLED MOSFET SWITCH, ATEC	Figure 3	Figure 4
PLA144S	SINGLE POLE NORMALLY OPEN (1 FORM A) OPTICALLY COUPLED MOSFET SWITCH, GULLWING	Figure 3	Figure 4
PLA144STR	SINGLE POLE NORMALLY OPEN (1 FORM A) OPTICALLY COUPLED MOSFET SWITCH, GULLWING, TAPE/REEL	Figure 3	Figure 4
PLA150	SINGLE POLE NORMALLY OPEN 1 FORM A OPTICALLY COUPLED MOSFET SWITCH, ATEC	Figure 3	Figure 4
PLA150S	SINGLE POLE NORMALLY OPEN 1 FORM A OPTICALLY COUPLED MOSFET SWITCH, GULL WING	Figure 3	Figure 4

PCN1001 Appendix A

Part Number	Description	Current Marking	New Marking
PLA150STR	SINGLE POLE NORMALLY OPEN 1 FORM A OPTICALLY COUPLED MOSFET SWITCH, ATEC, TAPE/REEL	Figure 3	Figure 4
PLA160	SINGLE POLE NORMALLY OPEN 1 FORM A OPTICALLY COUPLED MOSFET SWITCH, ATEC	Figure 3	Figure 4
PLA160S	SINGLE POLE NORMALLY OPEN 1 FORM A OPTICALLY COUPLED MOSFET SWITCH, GULL WING	Figure 3	Figure 4
PLA160STR	SINGLE POLE NORMALLY OPEN 1 FORM A OPTICALLY COUPLED MOSFET SWITCH, TAPE/REEL	Figure 3	Figure 4
PLA190	SINGLE POLE NORMALLY OPEN 1 FORM A OPTICALLY COUPLED MOSFET SWITCH, ATEC	Figure 3	Figure 4
PLA190S	SINGLE POLE NORMALLY OPEN 1 FORM A OPTICALLY COUPLED MOSFET SWITCH	Figure 3	Figure 4
PLA190STR	SINGLE POLE NORMALLY OPEN 1 FORM A OPTICALLY COUPLED MOSFET SWITCH, TAPE & REEL	Figure 3	Figure 4
PLA190X	SINGLE POLE NORMALLY OPEN 1 FORM A OPTICALLY COUPLED MOSFET SWITCH, ATEC	Figure 3	Figure 4
PLA190XS	SINGLE POLE NORMALLY OPEN 1 FORM A OPTICALLY COUPLED MOSFET SWITCH, GULLWING	Figure 3	Figure 4
PLA190XSTR	SINGLE POLE NORMALLY OPEN 1 FORM A OPTICALLY COUPLED MOSFET SWITCH, TAPE/REEL	Figure 3	Figure 4
PLA191	SINGLE POLE NORMALLY OPEN 1 FORM A OPTICALLY COUPLED MOSFET SWITCH, ATEC	Figure 3	Figure 4
PLA191S	SINGLE POLE NORMALLY OPEN 1 FORM A OPTICALLY COUPLED MOSFET SWITCH	Figure 3	Figure 4
PLA191STR	SINGLE POLE NORMALLY OPEN 1 FORM A OPTICALLY COUPLED MOSFET SWITCH, TAPE & REEL	Figure 3	Figure 4
PLA193	SINGLE POLE NORMALLY OPEN 1 FORM A OPTICALLY COUPLED MOSFET SWITCH, ATEC	Figure 3	Figure 4
PLA193S	SINGLE POLE NORMALLY OPEN 1 FORM A OPTICALLY COUPLED MOSFET SWITCH	Figure 3	Figure 4
PLA193STR	SINGLE POLE NORMALLY OPEN 1 FORM A OPTICALLY COUPLED MOSFET SWITCH, TAPE & REEL	Figure 3	Figure 4
PLB150	SINGLE POLE NORMALLY CLOSED 1 FORM B OPTICALLY COUPLED MOSFET SWITCH, ATEC	Figure 3	Figure 4
PLB150S	SINGLE POLE NORMALLY CLOSED 1 FORM B OPTICALLY COUPLED MOSFET SWITCH, GULLWING	Figure 3	Figure 4

PCN1001 Appendix A

Part Number	Description	Current Marking	New Marking
PLB150STR	SINGLE POLE NORMALLY CLOSED 1 FORM B OPTICALLY COUPLED MOSFET SWITCH, TAPE/REEL	Figure 3	Figure 4
PM0306X PM1204	AC SOLID STATE SWITCH ZERO CROSSING, OPTICALLY ISOLATED SOLID STATE RELAY DRIVING SMALL AC LOADS UP TO 0.5 AMP AND 400V PEAK AC, ATEC	Figure 3 Figure 3	Figure 4 Figure 4
PM1204S	ZERO CROSSING, OPTICALLY ISOLATED SOLID STATE RELAY DRIVING SMALL AC LOADS UP TO 0.5 AMP AND 400V PEAK AC, GULL WING	Figure 3	Figure 4
PM1204X1	NON-ZERO CROSSING, OPTICALLY ISOLATED SOLID STATE RELAY, ATEC	Figure 3	Figure 4
PM1205	ZERO CROSSING, OPTICALLY ISOLATED SOLID STATE RELAY DRIVING SMALL AC LOADS UP TO 0.5 AMP AND 500 V PEAK AC, ATEC	Figure 3	Figure 4
PM1205S	ZERO CROSSING, OPTICALLY ISOLATED SOLID STATE RELAY DRIVING SMALL AC LOADS UP TO 0.5 AMP AND 500 V PEAK AC, GULL WING	Figure 3	Figure 4
PM1205STR	ZERO CROSSING, OPTICALLY ISOLATED SOLID STATE RELAY DRIVING SMALL AC LOADS UP TO 0.5 AMP AND 500V PEAK AC, TAPE/REEL	Figure 3	Figure 4
PM1205X1	NON-ZERO CROSSING, OPTICALLY ISOLATED SOLID STATE RELAY, ATEC	Figure 3	Figure 4
PM1206	ZERO CROSSING, OPTICALLY ISOLATED SOLID STATE RELAY FOR DRIVING SMALL AC LOADS UP TO 0.5 AMP AND 600V PEAK, ATEC	Figure 3	Figure 4
PM1206C	ZERO CROSSING, OPTICALLY ISOLATED SOLID STATE RELAY DRIVING SMALL AC LOADS UP TO 0.5 AMP AND 600V PEAK AC, ATEC	Figure 3	Figure 4
PM1206S	ZERO CROSSING, OPTICALLY ISOLATED SOLID STATE RELAY FOR DRIVING SMALL AC LOADS UP TO 0.5AMP AND 600V PEAK,ATEC	Figure 3	Figure 4
PM1206STR	ZERO CROSSING, OPTICALLY ISOLATED SOLID STATE RELAY FOR DRIVING SMALL AC LOADS UP TO 0.5AMP AND 600V PEAK,ATEC,TAPE/REEL	Figure 3	Figure 4
PM1206X1	NON-ZERO CROSSING, OPTICALLY ISOLATED SOLID STATE RELAY, ATEC	Figure 3	Figure 4
PS1201	ZERO CROSSING, OPTICALLY ISOLATED SOLID STATE RELAY FOR DRIVING SMALL AC LOADS UP TO 1 AMP AND 400V PEAK, ATEC	Figure 9	Figure 10
PS1201X6	NON-ZERO CROSSING, OPTICALLY ISOLATED SOLID STATE RELAY FOR DRIVING SMALL AC LOADS UP TO 1 AMP AND 400V PEAK, ATEC	Figure 9	Figure 10
PS1201X7	ZERO CROSSING, OPTICALLY ISOLATED SOLID STATE RELAY FOR DRIVING SMALL AC LOADS UP TO 1 AMP AND 400V PEAK AC, ATEC	Figure 9	Figure 10

PCN1001 Appendix A

Part Number	Description	Current Marking	New Marking
PS1201X8	ZERO CROSSING, OPTICALLY ISOLATED SOLID STATE RELAY FOR DRIVING SMALL AC LOADS UP TO 1 AMP AND 400V PEAK, ATEC	Figure 9	Figure 10
PS2401	ZERO CROSSING, OPTICALLY ISOLATED SOLID STATE RELAY FOR DRIVING SMALL AC LOADS UP TO 1 AMP AND 500V PEAK, ATEC	Figure 9	Figure 10
PS2601	ZERO CROSSING, OPTICALLY ISOLATED SOLID STATE RELAY FOR DRIVING SMALL AC LOADS UP TO 1 AMP AND 600V PEAK, ATEC	Figure 9	Figure 10
PS2601H	ZERO CROSSING, OPTICALLY SOLID STATE RELAY FOR DRIVING SMALL AC LOADS UP TO 1AMP AND 600V PEAK, ATEC	Figure 9	Figure 10
PSM1506	SINGLE POLE NORMALLY OPEN 1 FORM A, OPTICALLY ISOLATED COUPLED MOSFET SWITCH, ATEC	Figure 5	Figure 6
PSM2506	SINGLE POLE NORMALLY OPEN 1 FORM A, OPTICALLY ISOLATED COUPLED MOSFET SWITCH, ATEC	Figure 9	Figure 10
PSM3506	SINGLE POLE NORMALLY OPEN 1 FORM A, OPTICALLY ISOLATED COUPLED MOSFET SWITCH, ATEC	Figure 9	Figure 10
PSSM1206	SINGLE POLE NORMALLY OPEN 1 FORM A, OPTICALLY ISOLATED COUPLED MOSFET SWITCH, ATEC	Figure 9	Figure 10
PSSM1606	SINGLE POLE NORMALLY OPEN 1 FORM A, OPTICALLY ISOLATED COUPLED MOSFET SWITCH, ATEC	Figure 9	Figure 10
TS112N	COMBINATION 1 FORM A OPTICALLY-COUPLED MOSFET SWITCH AND CURRENT DETECTOR IN AN 8 LEAD SOIC NARROW PACKAGE	Figure 29	Figure 30
TS112NTR	COMBINATION 1 FORM A OPTICALLY-COUPLED MOSFET SWITCH AND CURRENT DETECTOR IN AN 8 LEAD SOIC NARROW PACKAGE, TAPE/REEL	Figure 29	Figure 30
TS115N	COMBINATION 1 FORM A OPTICALLY-COUPLED MOSFET SWITCH AND CURRENT DETECTOR IN AN 8 LEAD SOIC NARROW PACKAGE	Figure 29	Figure 30
TS115NTR	COMBINATION 1 FORM A OPTICALLY-COUPLED MOSFET SWITCH AND CURRENT DETECTOR IN AN 8 LEAD SOIC NARROW PACKAGE, TAPE/REEL	Figure 29	Figure 30
TS116	1 FORM A OPTICALLY COUPLED MOSFET SWITCH, ATEC	Figure 5	Figure 6
TS116P	COMBINATION 1 FORM A OPTICALLY-COUPLED MOSFET SWITCH AND CURRENT DETECTOR IN AN 8-PIN DIP	Figure 7	Figure 8
TS116PL	COMBINATION 1 FORM A OPTICALLY-COUPLED MOSFET SWITCH AND CURRENT DETECTOR IN AN 8-PIN DIP, FLATPACK, CURRENT LIMITING, ATEC	Figure 7	Figure 8

PCN1001 Appendix A

Part Number	Description	Current Marking	New Marking
TS116PLTR	COMBINATION 1 FORM A OPTICALLY-COUPLED MOSFET SWITCH AND CURRENT DETECTOR IN AN 8-PIN DIP, FLATPACK, CURRENT LIMITING, TAPE/REEL	Figure 7	Figure 8
TS116PTR	COMBINATION 1 FORM A OPTICALLY-COUPLED MOSFET SWITCH AND CURRENT DETECTOR IN AN 8-PIN DIP, TAPE/REEL	Figure 7	Figure 8
TS116S	1 FORM A OPTICALLY COUPLED MOSFET SWITCH, GULL WING	Figure 5	Figure 6
TS116STR	1 FORM A OPTICALLY COUPLED MOSFET SWITCH, GULL WING	Figure 5	Figure 6
TS117	COMBINATION 1 FORM A OPTICALLY-COUPLED MOSFET SWITCH AND CURRENT DETECTOR IN A 8-PIN DIP, ATEC	Figure 5	Figure 6
TS117L	COMBINATION 1 FORM A OPTICALLY COUPLED MOSFET SWITCH AND CURRENT DETECTOR IN AN 8 PIN DIP, CURRENT LIMITING, ATEC	Figure 5	Figure 6
TS117LS	COMBINATION 1 FORM A OPTICALLY-COUPLED MOSFET SWITCH AND CURRENT DETECTOR IN AN 8-PIN DIP, CURRENT LIMITING, GULL WING	Figure 5	Figure 6
TS117LSTR	COMBINATION 1 FORM A OPTICALLY-COUPLED MOSFET SWITCH AND CURRENT DETECTOR IN AN 8-PIN DIP, CURRENT LIMITING, TAPE/REEL	Figure 5	Figure 6
TS117P	COMBINATION 1 FORM A OPTICALLY-COUPLED MOSFET SWITCH AND CURRENT DETECTOR IN AN 8-PIN DIP, FLATPACK	Figure 7	Figure 8
TS117PL	COMBINATION 1 FORM A OPTICALLY-COUPLED MOSFET SWITCH AND CURRENT DETECTOR IN AN 8-PIN DIP, FLATPACK, CURRENT LIMITING	Figure 7	Figure 8
TS117PLTR	COMBINATION 1 FORM A OPTICALLY-COUPLED MOSFET SWITCH AND CURRENT DETECTOR IN AN 8-PIN DIP, FLATPACK, CURRENT LIMITING, TAPE/REEL	Figure 7	Figure 8
TS117PTR	COMBINATION 1 FORM A OPTICALLY-COUPLED MOSFET SWITCH AND CURRENT DETECTOR IN AN 8-PIN DIP, FLATPACK, TAPE/REEL	Figure 7	Figure 8
TS117S	COMBINATION 1 FORM A OPTICALLY-COUPLED MOSFET SWITCH AND CURRENT DETECTOR IN AN 8-PIN DIP, GULL WING	Figure 5	Figure 6
TS117STR	COMBINATION 1 FORM A OPTICALLY-COUPLED MOSFET SWITCH AND CURRENT DETECTOR IN AN 8-PIN DIP, TAPE/REEL	Figure 5	Figure 6
TS118	COMBINATION 1 FORM B OPTICALLY COUPLED MOSFET SWITCH AND CURRENT DETECTOR IN AN 8 PIN DIP, ATEC	Figure 5	Figure 6
TS118P	COMBINATION 1 FORM B OPTICALLY-COUPLED MOSFET SWITCH AND CURRENT DETECTOR IN AN 8-PIN DIP, FLATPACK, ATEC	Figure 7	Figure 8

PCN1001 Appendix A

Part Number	Description	Current Marking	New Marking
TS118S	COMBINATION 1 FORM B OPTICALLY-COUPLED MOSFET SWITCH AND CURRENT DETECTOR IN AN 8-PIN DIP, GULL WING	Figure 5	Figure 6
TS120	COMBINATION 1 FORM A OPTICALLY COUPLED MOSFET SWITCH AND CURRENT DETECTOR IN AN 8 PIN DIP, ATEC	Figure 5	Figure 6
TS120P	COMBINATION 1 FORM A OPTICALLY-COUPLED MOSFET SWITCH AND CURRENT DETECTOR IN AN 8-PIN FLATPACK	Figure 7	Figure 8
TS120PL	COMBINATION 1 FORM A OPTICALLY-COUPLED MOSFET SWITCH AND CURRENT DETECTOR IN AN 8-PIN DIP, FLATPACK, CURRENT LIMITING	Figure 7	Figure 8
TS120PLTR	COMBINATION 1 FORM A OPTICALLY-COUPLED MOSFET SWITCH AND CURRENT DETECTOR IN AN 8-PIN DIP, FLATPACK, CURRENT LIMITING, TAPE/REEL	Figure 7	Figure 8
TS120PTR	COMBINATION 1 FORM A OPTICALLY-COUPLED MOSFET SWITCH AND CURRENT DETECTOR IN AN 8-PIN FLATPACK, TAPE/REEL	Figure 7	Figure 8
TS120S	COMBINATION 1 FORM A OPTICALLY-COUPLED MOSFET SWITCH AND CURRENT DETECTOR IN AN 8-PIN DIP, GULL WING	Figure 5	Figure 6
TS120STR	COMBINATION 1 FORM A OPTICALLY-COUPLED MOSFET SWITCH AND CURRENT DETECTOR IN AN 8-PIN DIP, TAPE/REEL	Figure 5	Figure 6
TS121	COMBINATION 1 FORM B OPTICALLY-COUPLED MOSFET SWITCH AND CURRENT DETECTOR IN AN 8-PIN DIP, ATEC	Figure 5	Figure 6
TS121S	COMBINATION 1 FORM B OPTICALLY-COUPLED MOSFET SWITCH AND CURRENT DETECTOR IN AN 8-PIN DIP, GULL WING	Figure 5	Figure 6
TS121STR	COMBINATION 1 FORM B OPTICALLY-COUPLED MOSFET SWITCH AND CURRENT DETECTOR IN AN 8-PIN DIP, TAPE/REEL	Figure 5	Figure 6
TS122	COMBINATION 1 FORM A OPTICALLY-COUPLED MOSFET SWITCH AND CURRENT DETECTOR IN AN 8-PIN DIP, ATEC	Figure 5	Figure 6
TS122P	COMBINATION 1 FORM A OPTICALLY-COUPLED MOSFET SWITCH AND CURRENT DETECTOR IN AN 8-PIN DIP, FLATPACK, ATEC	Figure 7	Figure 8
TS122S	COMBINATION 1 FORM A OPTICALLY-COUPLED MOSFET SWITCH AND CURRENT DETECTOR IN AN 8-PIN DIP, GULL WING	Figure 5	Figure 6
TS122STR	COMBINATION 1 FORM A OPTICALLY COUPLED MOSFET SWITCH AND CURRENT DETECTOR IN AN 8 PIN DIP, TAPE/REEL	Figure 5	Figure 6

PCN1001 Appendix A

Part Number	Description	Current Marking	New Marking
TS124	COMBINATION 1 FORM A OPTICALLY-COUPLED MOSFET SWITCH AND CURRENT DETECTOR IN AN 8-PIN DIP, ATEC	Figure 5	Figure 6
TS124P	COMBINATION 1 FORM A OPTICALLY-COUPLED MOSFET SWITCH AND CURRENT DETECTOR IN AN 8-PIN DIP, FLATPACK	Figure 7	Figure 8
TS124PTR	COMBINATION 1 FORM A OPTICALLY-COUPLED MOSFET SWITCH AND CURRENT DETECTOR IN AN 8-PIN DIP, FLATPACK, TAPE/REEL	Figure 7	Figure 8
TS125P	COMBINATION 1 FORM A OPTICALLY-COUPLED MOSFET SWITCH AND CURRENT DETECTOR IN AN 8-PIN FLATPACK	Figure 7	Figure 8
TS125PTR	COMBINATION 1 FORM A OPTICALLY-COUPLED MOSFET SWITCH AND CURRENT DETECTOR IN AN 8-PIN FLATPACK, TAPE/REEL	Figure 7	Figure 8
TS190	COMBINATION 1 FORM A OPTICALLY-COUPLED MOSFET SWITCH AND CURRENT DETECTOR IN AN 8-PIN DIP, ATEC	Figure 5	Figure 6
TS190L	COMBINATION 1 FORM A OPTICALLY COUPLED MOSFET SWITCH AND CURRENT DETECTOR IN AN 8 PIN DIP,ATEC	Figure 5	Figure 6
TS190LS	COMINATION 1 FORM A OPTICALLY COUPLED MOSFET SWITCH AND CURRENT DETECTOR IN AN 8 PIN DIP, ATEC	Figure 5	Figure 6
TS190LSTR	COMBINATION 1 FORM A OPTICALLY COUPLED MOSFET SWITCH AND CURRNT DETECTOR IN AN 8 PIN DIP PACKAGE, ATEC, TAPE/REEL	Figure 5	Figure 6
TS190P	COMBINATION 1 FORM A OPTICALLY-COUPLED MOSFET SWITCH AND CURRENT DETECTOR IN AN 8-PIN DIP, FLATPACK	Figure 7	Figure 8
TS190PL	COMBINATION 1 FORM A OPTICALLY-COUPLED MOSFET SWITCH AND CURRENT DETECTOR IN AN 8-PIN DIP, FLATPACK, CURRENT LIMITING	Figure 7	Figure 8
TS190PLTR	COMBINATION 1 FORM A OPTICALLY-COUPLED MOSFET SWITCH AND CURRENT DETECTOR IN AN 8-PIN DIP, FLATPACK, CURRENT LIMITING, TAPE/REEL	Figure 7	Figure 8
TS190PTR	COMBINATION 1 FORM A OPTICALLY-COUPLED MOSFET SWITCH AND CURRENT DETECTOR IN AN 8-PIN DIP, FLATPACK, TAPE/REEL	Figure 7	Figure 8
TS190PTR-001	COMBINATION 1 FORM A OPTICALLY-COUPLED MOSFET SWITCH AND CURRENT DETECTOR IN AN 8-PIN DIP, FLATPACK, TAPE/REEL	Figure 7	Figure 8
TS190S	COMBINATION 1 FORM A OPTICALLY-COUPLED MOSFET SWITCH AND CURRENT DETECTOR IN AN 8-PIN DIP, GULL WING	Figure 5	Figure 6

PCN1001 Appendix A

Part Number	Description	Current Marking	New Marking
TS192L	COMBINATION 1 FORM A OPTICALLY-COUPLED MOSFET SWITCH AND CURRENT DETECTOR IN AN 8-PIN PACKAGE, ATEC	Figure 5	Figure 6
TS192LS	COMBINATION 1 FORM A OPTICALLY-COUPLED MOSFET SWITCH AND CURRENT DETECTOR IN AN 8-PIN PACKAGE, GULL WING	Figure 5	Figure 6
TS192LSTR	COMBINATION 1 FORM A OPTICALLY-COUPLED MOSFET SWITCH AND CURRENT DETECTOR IN AN 8-PIN PACKAGE, TAPE/REEL	Figure 5	Figure 6
TS195P	COMBINATION 1 FORM A OPTICALLY-COUPLED MOSFET SWITCH AND UNIDIRECTIONAL CURRENT DETECTOR IN AN 8 PIN DIP, FLATPACK	Figure 7	Figure 8
XAA110	TWO INDEPENDENT 1 FORM A OPTICALLY ISOLATED MOSFET SWITCHES IN A SINGLE PACKAGE, ATEC	Figure 5	Figure 6
XAA110P	TWO INDEPENDENT 1 FORM A OPTICALLY ISOLATED MOSFET SWITCHES IN A SINGLE PACKAGE, FLATPACK	Figure 7	Figure 8
XAA110PTR	TWO INDEPENDENT 1 FORM A OPTICALLY ISOLATED MOSFET SWITCHES IN A SINGLE PACKAGE, FLATPACK, TAPE/REEL	Figure 7	Figure 8
XAA110S	TWO INDEPENDENT 1 FORM A OPTICALLY ISOLATED MOSFET SWITCHES IN A SINGLE PACKAGE, GULL WING	Figure 5	Figure 6
XAA110STR	TWO INDEPENDENT 1 FORM A OPTICALLY ISOLATED MOSFET SWITCHES IN A SINGLE PACKAGE, GULL WING, TAPE/REEL	Figure 5	Figure 6
XAA170	TWO INDEPENDENT 1 FORM A OPTICALLY ISOLATED MOSFET SWITCHES IN A SINGLE PACKAGE, ATEC	Figure 5	Figure 6
XAA170P	TWO INDEPENDENT 1 FORM A OPTICALLY ISOLATED MOSFET SWITCHES IN A SINGLE PACKAGE, FLAT PACK	Figure 7	Figure 8
XAA170PTR	TWO INDEPENDENT 1 FORM A OPTICALLY ISOLATED MOSFET SWITCHES IN A SINGLE PACKAGE, FLAT PACK, TAPE/REEL	Figure 7	Figure 8
XAA170S	TWO INDEPENDENT 1 FORM A OPTICALLY ISOLATED MOSFET SWITCHES IN A SINGLE PACKAGE, GULLWING, ATEC	Figure 5	Figure 6
XAA170STR	TWO INDEPENDENT 1 FORM A OPTICALLY ISOLATED MOSFET SWITCHES IN A SINGLE PACKAGE,TAPE/REEL	Figure 5	Figure 6
XBA170	TWO INDEPENDENT 1 FORM B AND 1 FORM A OPTICALLY ISOLATED MOSFET SWITCHES IN A SINGLE PACKAGE,ATEC	Figure 5	Figure 6
XBA170P	1 FORM A AND 1 FORM B MOSFET SSR	Figure 7	Figure 8
XBA170PTR	1 FORM A AND 1 FORM B MOSFET SSR, TAPE/REEL	Figure 7	Figure 8

PCN1001 Appendix A

Part Number	Description	Current Marking	New Marking
XBA170S	TWO INDEPENDENT 1 FORM B AND 1 FORM A OPTICALLY ISOLATED MOSFET SWITCHES IN A SINGLE PACKAGE	Figure 5	Figure 6
XBA170STR	TWO INDEPENDENT A FORM B AND 1 FORM A OPTICALLY ISOLATED MOSFET SWITCHES IN A SINGLE PACKAGE, TAPE/REEL	Figure 5	Figure 6
XBB170	TWO INDEPENDENT 1 FORM B OPTICALLY ISOLATED MOSFET SWITCHES IN A SINGLE PACKAGE,ATEC	Figure 5	Figure 6
XBB170P	2 FORM B MOSFET SSR	Figure 7	Figure 8
XBB170PTR	2 FORM B MOSFET SSR, TAPE/REEL	Figure 7	Figure 8
XBB170S	TWO INDEPENDENT 1 FORM B OPTICALLY ISOLATED MOSFET SWITCHES IN A SINGLE PACKAGE,GULLWING	Figure 5	Figure 6
XBB170STR	TWO INDEPENDENT 1 FORM B AND OPTICALLY ISOLATED MOSFET SWITCHES IN A SINGLE PACKAGE,TAPE/REEL	Figure 5	Figure 6
XCA100	SINGLE POLE NORMALLY OPEN 1 FORM A OPTICALLY COUPLED MOSFET SWITCH, ATEC	Figure 3	Figure 4
XCA100S	SINGLE POLE NORMALLY OPEN 1 FORM A OPTICALLY COUPLED MOSFET SWITCH, GULLWING	Figure 3	Figure 4
XCA100STR	SINGLE POLE NORMALLY OPEN 1 FORM A OPTICALLY COUPLED MOSFET SWITCH, TAPE/REEL	Figure 3	Figure 4
XCA110	SINGLE POLE NORMALLY OPEN 1 FORM A OPTICALLY COUPLED MOSFET SWITCH, ATEC	Figure 3	Figure 4
XCA110L	SINGLE POLE NORMALLY OPEN 1 FORM A OPTICALLY COUPLED MOSFET SWITCH, CURRENT LIMITING	Figure 3	Figure 4
XCA110LS	SINGLE POLE NORMALLY OPEN 1 FORM A OPTICALLY COUPLED MOSFET SWITCH, CURRENT LIMITING, GULL WING	Figure 3	Figure 4
XCA110S	SINGLE POLE NORMALLY OPEN 1 FORM A OPTICALLY COUPLED MOSFET SWITCH, GULL WING	Figure 3	Figure 4
XCA110STR	SINGLE POLE NORMALLY OPEN 1 FORM A OPTICALLY COUPLED MOSFET SWITCH, TAPE/REEL	Figure 3	Figure 4
XCA111	SINGLE POLE NORMALLY OPEN 1 FORM A OPTICALLY COUPLED MOSFET SWITCH, ATEC	Figure 3	Figure 4
XCA111L	SINGLE POLE NORMALLY OPEN 1 FORM A OPTICALLY COUPLED MOSFET SWITCH, CURRENT LIMITING, ATEC	Figure 3	Figure 4
XCA111LS	SINGLE POLE NORMALLY OPEN 1 FORM A OPTICALLY COUPLED MOSFET SWITCH, CURRENT LIMITING, GULL WING	Figure 3	Figure 4

PCN1001 Appendix A

Part Number	Description	Current Marking	New Marking
XCA111LSTR	SINGLE POLE NORMALLY OPEN 1 FORM A OPTICALLY COUPLED MOSFET SWITCH, CURRENT LIMITING, TAPE/REEL	Figure 3	Figure 4
XCA111S	SINGLE POLE NORMALLY OPEN 1 FORM A OPTICALLY COUPLED MOSFET SWITCH, GULL WING	Figure 3	Figure 4
XCA111STR	SINGLE POLE NORMALLY OPEN 1 FORM A OPTICALLY COUPLED MOSFET SWITCH, TAPE/REEL	Figure 3	Figure 4
XCA170	SINGLE POLE NORMALLY OPEN 1 FORM A OPTICALLY COUPLED MOSFET SWITCH, ATEC	Figure 3	Figure 4
XCA170S	SINGLE POLE NORMALLY OPEN 1 FORM A OPTICALLY COUPLED MOSFET SWITCH, GULLWING	Figure 3	Figure 4
XCA170STR	SINGLE POLE NORMALLY OPEN 1 FORM A OPTICALLY COUPLED MOSFET SWITCH, GULLWING	Figure 3	Figure 4
XCB170	SINGLE POLE NORMALLY CLOSED (1 FORM B) OPTICALLY COUPLED MOSFET SWITCH,ATEC	Figure 3	Figure 4
XCB170S	SINGLE POLE NORMALLY CLOSED (1 FORM B) OPTICALLY COUPLED MOSFET SWITCH, GULLWING	Figure 3	Figure 4
XCB170STR	SINGLE POLE NORMALLY CLOSED (1 FORM B) OPTICALLY COUPLED MOSFET SWITCH, TAPE/REEL	Figure 3	Figure 4
XS117	COMBINATION 1 FORM A OPTICALLY-COUPLED MOSFET SWITCH AND CURRENT DETECTOR IN AN 8-PIN DIP , ATEC	Figure 5	Figure 6
XS117P	COMBINATION 1 FORM A OPTICALLY-COUPLED MOSFET SWITCH AND CURRENT DETECTOR IN AN 8-PIN DIP, FLATPACK	Figure 7	Figure 8
XS117PTR	COMBINATION 1 FORM A OPTICALLY-COUPLED MOSFET SWITCH AND CURRENT DETECTOR IN AN 8-PIN DIP, FLATPACK, TAPE/REEL	Figure 7	Figure 8
XS117S	COMBINATION 1 FORM A OPTICALLY-COUPLED MOSFET SWITCH AND CURRENT DETECTOR IN AN 8-PIN DIP , GULLWING	Figure 5	Figure 6
XS117STR	COMBINATION 1 FORM A OPTICALLY-COUPLED MOSFET SWITCH AND CURRENT DETECTOR IN AN 8-PIN DIP , GULLWING, TAPE/REEL	Figure 5	Figure 6
XS118P	COMBINATION 1 FORM B OPTICALLY-COUPLED MOSFET SWITCH AND CURRENT DETECTOR IN AN 8-PIN DIP, FLATPACK	Figure 7	Figure 8
XS118PTR	COMBINATION 1 FORM B OPTICALLY-COUPLED MOSFET SWITCH AND CURRENT DETECTOR IN AN 8-PIN DIP, FLATPACK, TAPE/REEL	Figure 7	Figure 8

PCN1001 Appendix A

Part Number	Description	Current Marking	New Marking
XS124P	COMBINATION 1 FORM A OPTICALLY-COUPLED MOSFET SWITCH AND CURRENT DETECTOR IN AN 8-PIN DIP, FLATPACK	Figure 7	Figure 8
XS124PTR	COMBINATION 1 FORM A OPTICALLY-COUPLED MOSFET SWITCH AND CURRENT DETECTOR IN AN 8-PIN DIP, FLATPACK, TAPE/REEL	Figure 7	Figure 8
XS170	COMBINATION 1 FORM A OPTICALLY-COUPLED MOSFET SWITCH AND CURRENT DETECTOR IN AN 8-PIN DIP, ATEC	Figure 5	Figure 6
XS170P	COMBINATION 1 FORM A OPTICALLY-COUPLED MOSFET SWITCH AND CURRENT DETECTOR IN AN 8-PIN DIP	Figure 7	Figure 8
XS170PTR	COMBINATION 1 FORM A OPTICALLY-COUPLED MOSFET SWITCH AND CURRENT DETECTOR IN AN 8-PIN DIP, TAPE/REEL	Figure 7	Figure 8
XS170S	COMBINATION 1 FORM A OPTICALLY-COUPLED MOSFET SWITCH AND CURRENT DETECTOR IN AN 8-PIN DIP, GULLWING	Figure 5	Figure 6
XS170STR	COMBINATION 1 FORM A OPTICALLY-COUPLED MOSFET SWITCH AND CURRENT DETECTOR IN AN 8-PIN DIP, GULLWING, TAPE/REEL	Figure 7	Figure 8
XS175P	COMBINATION 1 FORM A OPTICALLY-COUPLED MOSFET SWITCH AND CURRENT DETECTOR IN AN 8-PIN DIP, FLATPACK, ATEC	Figure 7	Figure 8
XS178	COMBINATION LOW COST FORM B 50 OHM MOSFET SSR AND OPTOCOUPLER IN 8 PIN PACKAGE.	Figure 5	Figure 6
XS178P	COMBINATION LOW COST FORM B 50 OHM MOSFET SSR AND OPTOCOUPLER IN 8 PIN FLATPACK	Figure 7	Figure 8
XS178PTR	COMBINATION LOW COST FORM B 50 OHM MOSFET SSR AND OPTOCOUPLER IN 8 PIN FLATPACK,TAPE/REEL	Figure 7	Figure 8
XS178S	COMBINATION LOW COST FORM B 50 OHM MOSFET SSR AND OPTOCOUPLER IN 8 PIN PACKAGE	Figure 5	Figure 6
XS178STR	COMBINATION LOW COST FORM B 50 OHM MOSFET SSR AND OPTOCOUPLER IN 8 PIN PACKAGE, TAPE/REEL	Figure 5	Figure 6
XTC117P	ONE FORM A SOLID STATE RELAY, IN A 16 LEAD SOIC PACKAGE, FLATPACK,	Figure 7	Figure 8
XTC117PTR	ONE FORM A SOLID STATE RELAY, IN A 16 LEAD SOIC PACKAGE, FLATPACK, TAPE/REEL	Figure 7	Figure 8
XXA110P	A SINGLE 1 FORM A OPTICALLY ISOLATED MOSFET SWITCH IN AN 8-PIN PACKAGE, FLATPACK, ATEC	Figure 7	Figure 8

PCN1001 Appendix A

Part Number	Description	Current Marking	New Marking
XXA110PTR	A SINGLE 1 FORM A OPTICALLY ISOLATED MOSFET SWITCH IN AN 8-PIN PACKAGE, FLATPACK, TAPE/REEL	Figure 7	Figure 8
XXA120P	A SINGLE 1 FORM A OPTICALLY ISOLATED MOSFET SWITCH IN AN 8-PIN PACKAGE, FLATPACK	Figure 7	Figure 8
XXA120PTR	A SINGLE 1 FORM A OPTICALLY ISOLATED MOSFET SWITCH IN AN 8-PIN PACKAGE, FLATPACK, TAPE/REEL	Figure 7	Figure 8

PCN1001 Appendix A

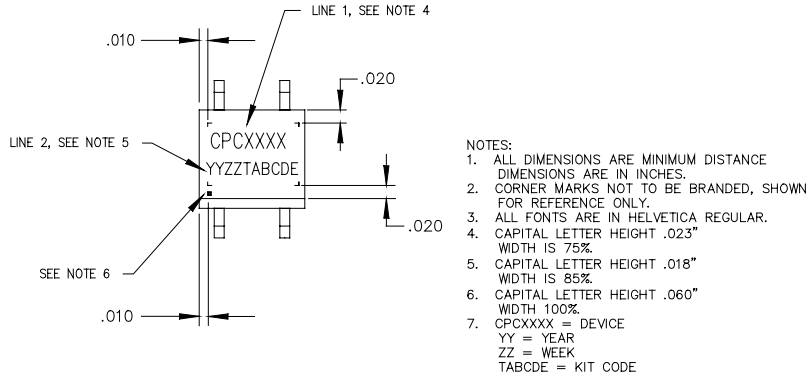


Figure 1

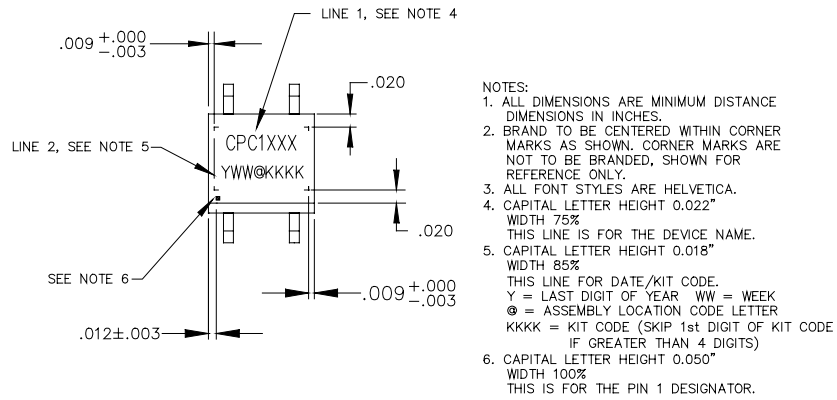


Figure 2

PCN1001 Appendix A

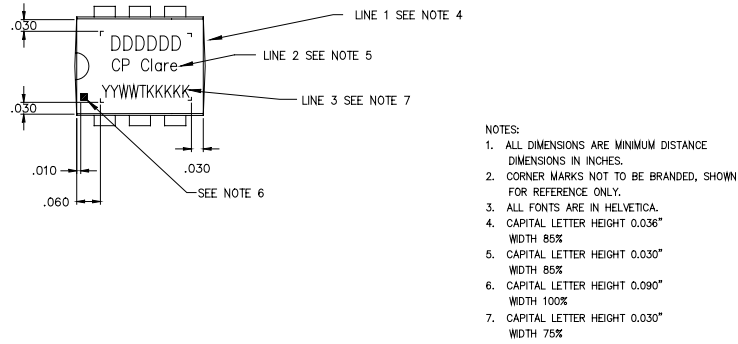


Figure 3

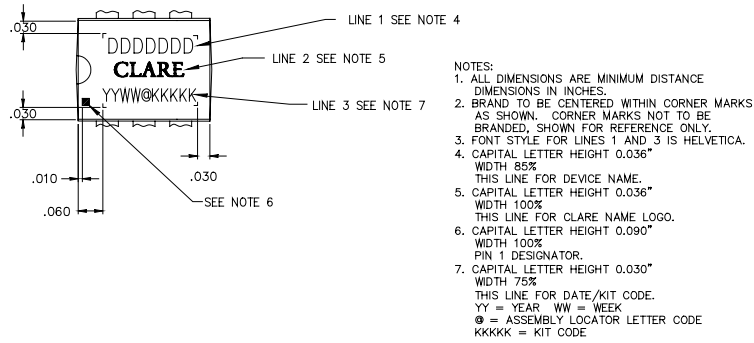


Figure 4

PCN1001 Appendix A

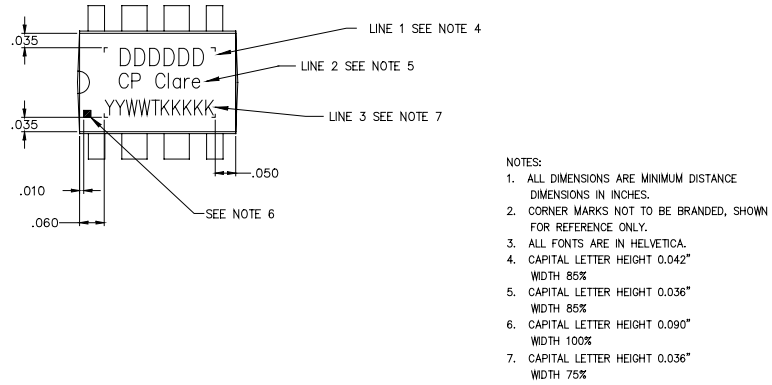


Figure 5

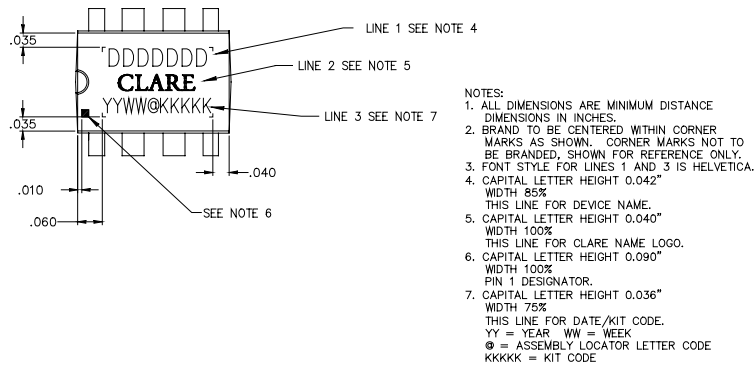


Figure 6

PCN1001 Appendix A

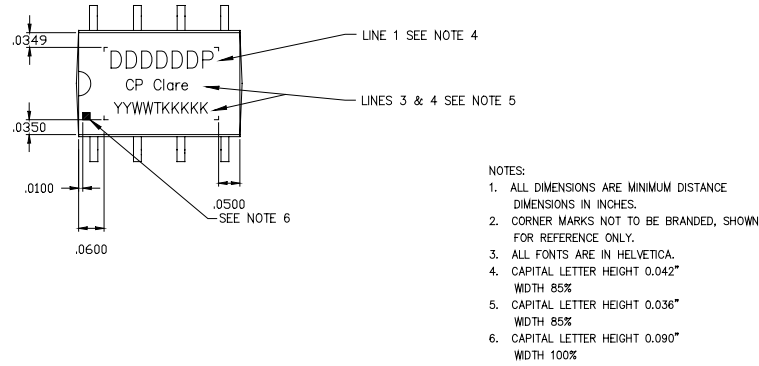


Figure 7

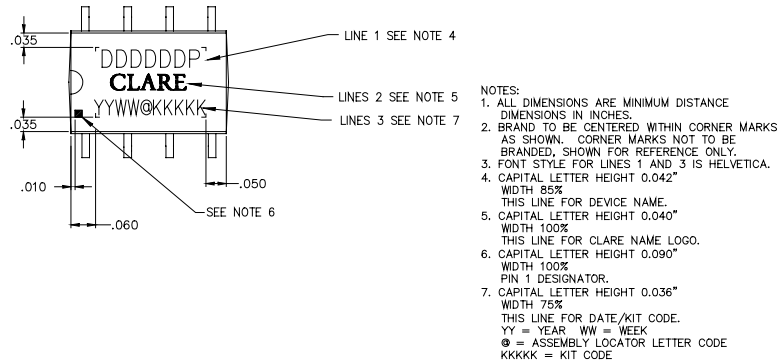


Figure 8

PCN1001 Appendix A

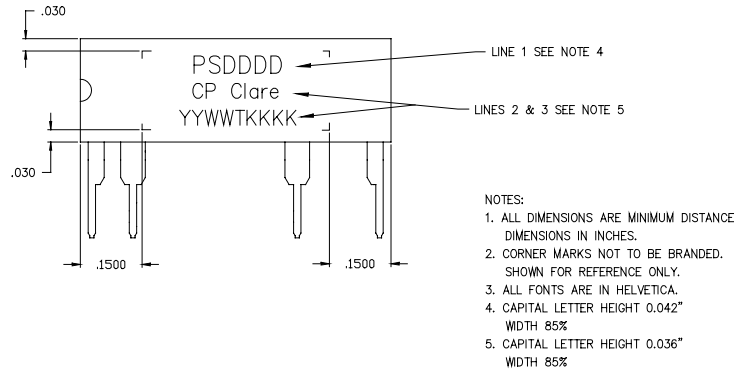


Figure 9

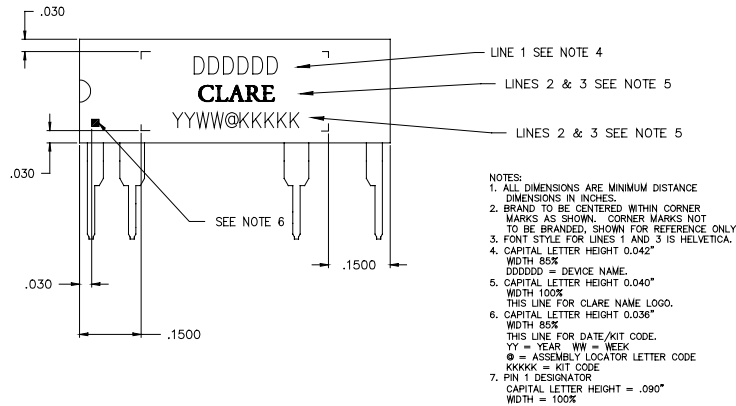
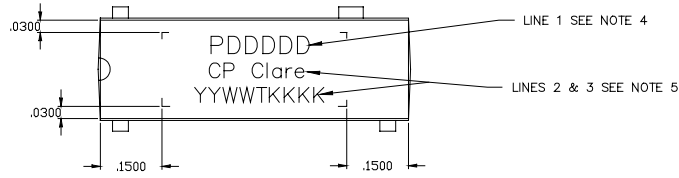


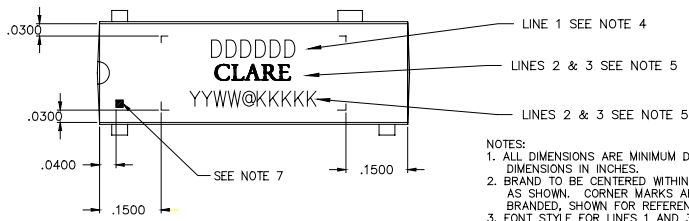
Figure 10

PCN1001 Appendix A



- NOTES:
1. ALL DIMENSIONS ARE MINIMUM DISTANCE DIMENSIONS IN INCHES.
 2. CORNER MARKS NOT TO BE BRANDED. SHOWN FOR REFERENCE ONLY.
 3. ALL FONTS ARE HELVETICA.
 4. CAPITAL LETTER HEIGHT 0.042"
WIDTH 85%
 5. CAPITAL LETTER HEIGHT 0.036"
WIDTH 85%

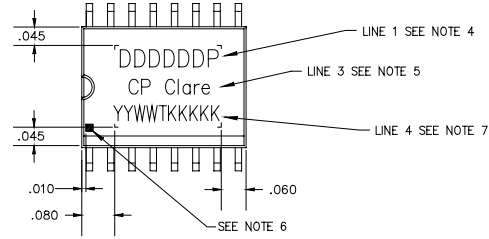
Figure 11



- NOTES:
1. ALL DIMENSIONS ARE MINIMUM DISTANCE DIMENSIONS IN INCHES.
 2. BRAND TO BE CENTERED WITHIN CORNER MARKS AS SHOWN. CORNER MARKS ARE NOT TO BE BRANDED, SHOWN FOR REFERENCE ONLY.
 3. FONT STYLE FOR LINES 1 AND 3 IS HELVETICA.
 4. CAPITAL LETTER HEIGHT 0.042"
WIDTH 85%
 5. CAPITAL LETTER HEIGHT 0.040"
WIDTH 100%
THIS LINE FOR CLARE NAME LOGO.
 6. CAPITAL LETTER HEIGHT 0.036"
WIDTH 85%
THIS LINE FOR DATE/KIT CODE.
YY = YEAR WW = WEEK
@ = ASSEMBLY LOCATOR LETTER CODE
KKKKK = KIT CODE
 7. PIN 1 DESIGNATOR
CAPITAL LETTER HEIGHT .090"
WIDTH IS 100%

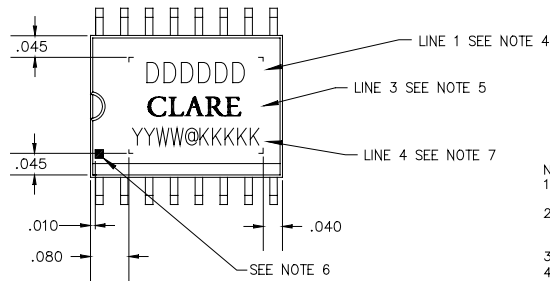
Figure 12

PCN1001 Appendix A



- NOTES:
1. ALL DIMENSIONS ARE MINIMUM DISTANCE DIMENSIONS IN INCHES.
 2. CORNER MARKS NOT TO BE BRANDED, SHOWN FOR REFERENCE ONLY.
 3. ALL FONTS ARE IN HELVETICA.
 4. CAPITAL LETTER HEIGHT 0.042"
WIDTH 85%
 5. CAPITAL LETTER HEIGHT 0.036"
WIDTH 85%
 6. CAPITAL LETTER HEIGHT 0.090"
WIDTH 100%
 7. CAPITAL LETTER HEIGHT 0.036"
WIDTH 75%

Figure 13



- NOTES:
1. ALL DIMENSIONS ARE MINIMUM DISTANCE DIMENSIONS IN INCHES.
 2. BRAND TO BE CENTERED WITHIN CORNER MARKS AS SHOWN. CORNER MARKS NOT TO BE BRANDED, SHOWN FOR REFERENCE ONLY.
 3. FONT STYLE FOR LINES 1 AND 3 IS HELVETICA.
 4. CAPITAL LETTER HEIGHT 0.042"
WIDTH 85%
 5. CAPITAL LETTER HEIGHT 0.040"
WIDTH 100%
THIS LINE FOR CLARE NAME LOGO.
 6. CAPITAL LETTER HEIGHT 0.090"
WIDTH 100%
PIN 1 DESIGNATOR.
 7. CAPITAL LETTER HEIGHT 0.035"
WIDTH 75%
THIS LINE FOR DATE/KIT CODE.
YY = YEAR WW = WEEK
@ = ASSEMBLY LOCATION CODE LETTER
KKKKK = KIT CODE

Figure 14

PCN1001 Appendix A

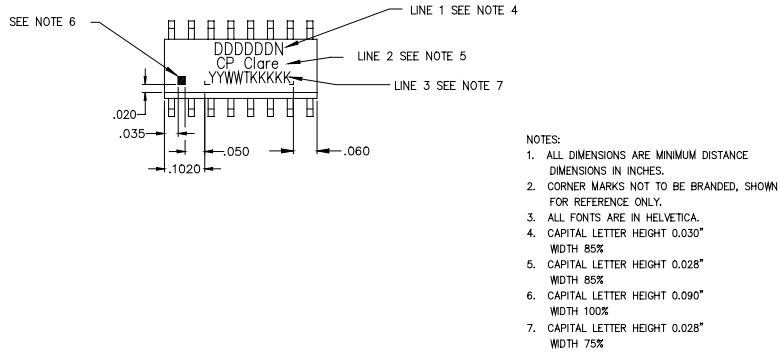


Figure 15

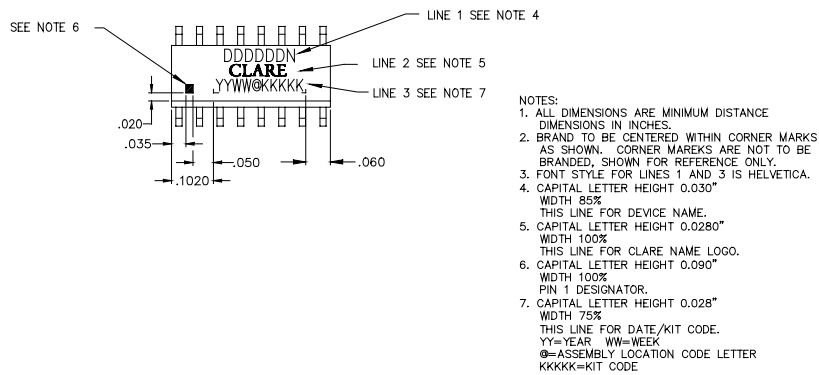


Figure 16

PCN1001 Appendix A

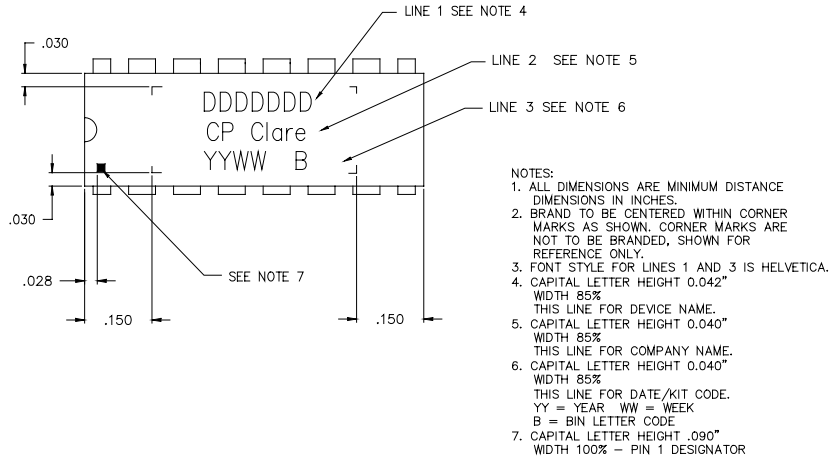


Figure 17

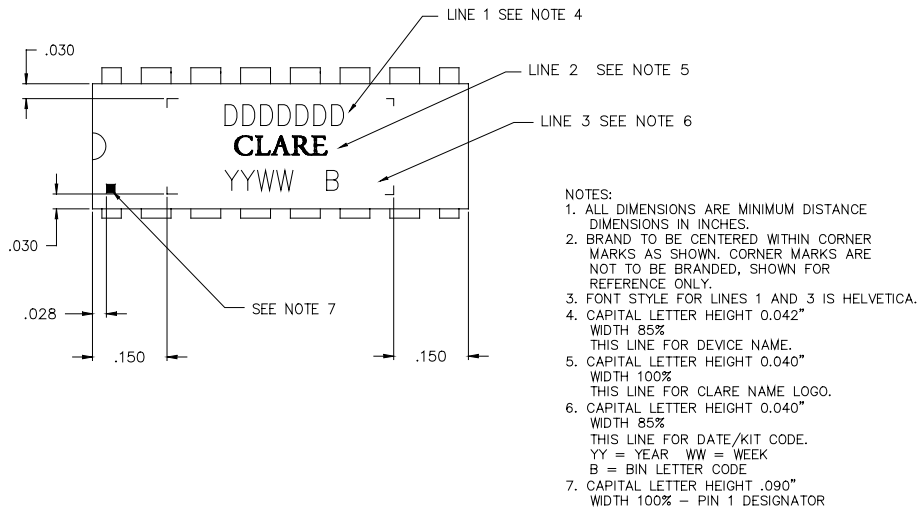


Figure 18

PCN1001 Appendix A

LCAS

Figure 19

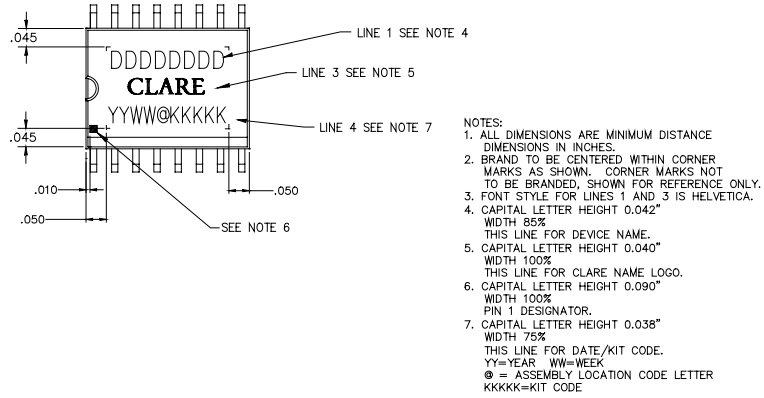


Figure 20

PCN1001 Appendix A

Figure 21

LCAS

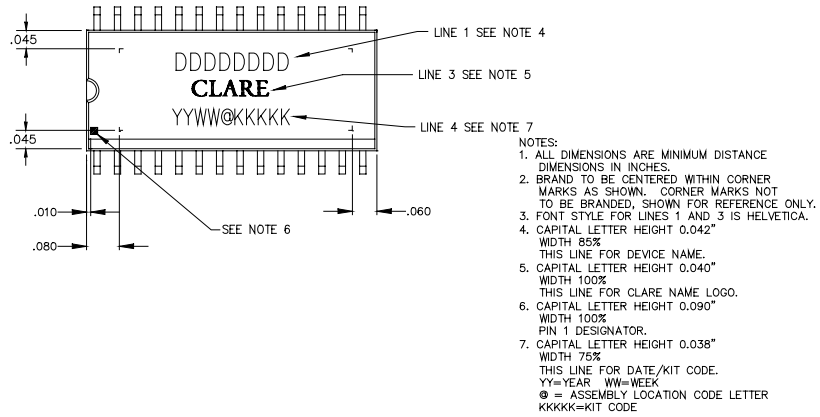
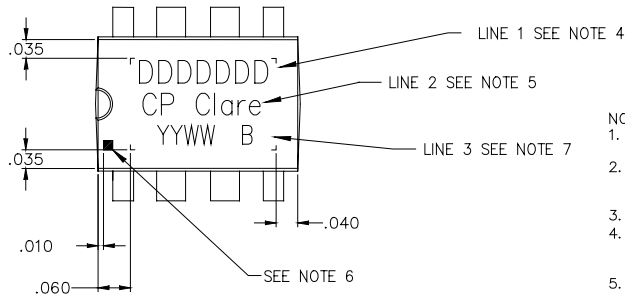


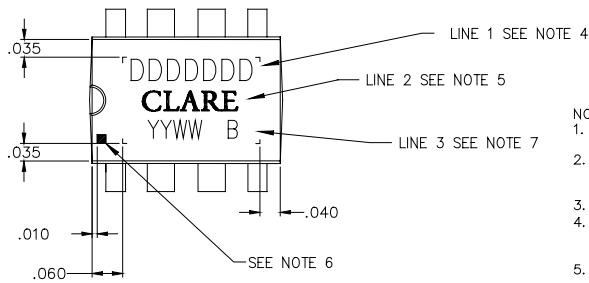
Figure 22

PCN1001 Appendix A



- NOTES:
1. ALL DIMENSIONS ARE MINIMUM DISTANCE DIMENSIONS IN INCHES.
 2. BRAND TO BE CENTERED WITHIN CORNER MARKS AS SHOWN. CORNER MARKS NOT TO BE BRANDED, SHOWN FOR REFERENCE ONLY.
 3. FONT STYLE FOR LINES 1 AND 3 IS HELVETICA.
 4. CAPITAL LETTER HEIGHT 0.042"
WIDTH 85%
THIS LINE FOR DEVICE NAME.
 5. CAPITAL LETTER HEIGHT 0.040"
WIDTH 85%
THIS LINE FOR COMPANY NAME.
 6. CAPITAL LETTER HEIGHT 0.090"
WIDTH 100%
PIN 1 DESIGNATOR.
 7. CAPITAL LETTER HEIGHT 0.036"
WIDTH 75%
THIS LINE FOR DATE/KIT CODE.
YY = YEAR WW = WEEK
B = BIN LETTER CODE

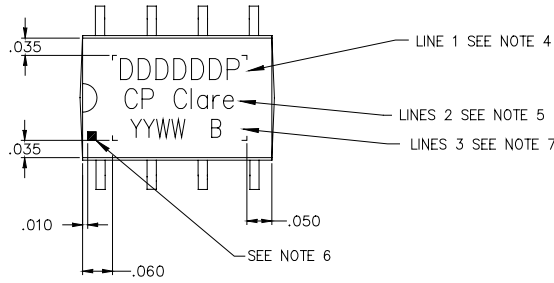
Figure 23



- NOTES:
1. ALL DIMENSIONS ARE MINIMUM DISTANCE DIMENSIONS IN INCHES.
 2. BRAND TO BE CENTERED WITHIN CORNER MARKS AS SHOWN. CORNER MARKS NOT TO BE BRANDED, SHOWN FOR REFERENCE ONLY.
 3. FONT STYLE FOR LINES 1 AND 3 IS HELVETICA.
 4. CAPITAL LETTER HEIGHT 0.042"
WIDTH 85%
THIS LINE FOR DEVICE NAME.
 5. CAPITAL LETTER HEIGHT 0.040"
WIDTH 100%
THIS LINE FOR CLARE NAME LOGO.
 6. CAPITAL LETTER HEIGHT 0.090"
WIDTH 100%
PIN 1 DESIGNATOR.
 7. CAPITAL LETTER HEIGHT 0.036"
WIDTH 75%
THIS LINE FOR DATE/KIT CODE.
YY = YEAR WW = WEEK
B = BIN LETTER CODE

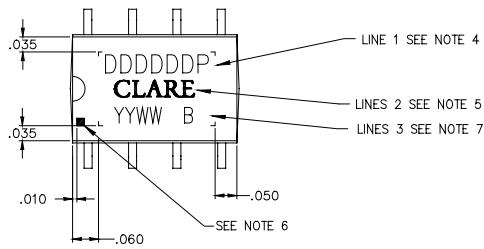
Figure 24

PCN1001 Appendix A



- NOTES:
1. ALL DIMENSIONS ARE MINIMUM DISTANCE DIMENSIONS IN INCHES.
 2. BRAND TO BE CENTERED WITHIN CORNER MARKS AS SHOWN. CORNER MARKS NOT TO BE BRANDED, SHOWN FOR REFERENCE ONLY.
 3. FONT STYLE FOR LINES 1 AND 3 IS HELVETICA.
 4. CAPITAL LETTER HEIGHT 0.042"
WIDTH 85%
THIS LINE FOR DEVICE NAME.
 5. CAPITAL LETTER HEIGHT 0.040"
WIDTH 85%
THIS LINE FOR COMPANY NAME.
 6. CAPITAL LETTER HEIGHT 0.090"
WIDTH 100%
PIN 1 DESIGNATOR.
 7. CAPITAL LETTER HEIGHT 0.036"
WIDTH 75%
THIS LINE FOR DATE/KIT CODE.
YY = YEAR WW = WEEK
B = BIN LETTER CODE

Figure 25



- NOTES:
1. ALL DIMENSIONS ARE MINIMUM DISTANCE DIMENSIONS IN INCHES.
 2. BRAND TO BE CENTERED WITHIN CORNER MARKS AS SHOWN. CORNER MARKS NOT TO BE BRANDED, SHOWN FOR REFERENCE ONLY.
 3. FONT STYLE FOR LINES 1 AND 3 IS HELVETICA.
 4. CAPITAL LETTER HEIGHT 0.042"
WIDTH 85%
THIS LINE FOR DEVICE NAME.
 5. CAPITAL LETTER HEIGHT 0.040"
WIDTH 100%
THIS LINE FOR CLARE NAME LOGO.
 6. CAPITAL LETTER HEIGHT 0.090"
WIDTH 100%
PIN 1 DESIGNATOR.
 7. CAPITAL LETTER HEIGHT 0.036"
WIDTH 75%
THIS LINE FOR DATE/KIT CODE.
YY = YEAR WW = WEEK
B = BIN LETTER CODE

Figure 26

PCN1001 Appendix A

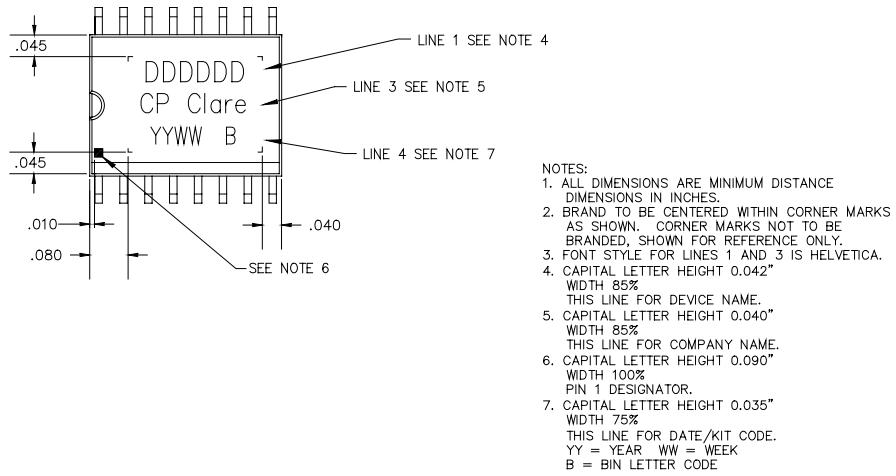


Figure 27

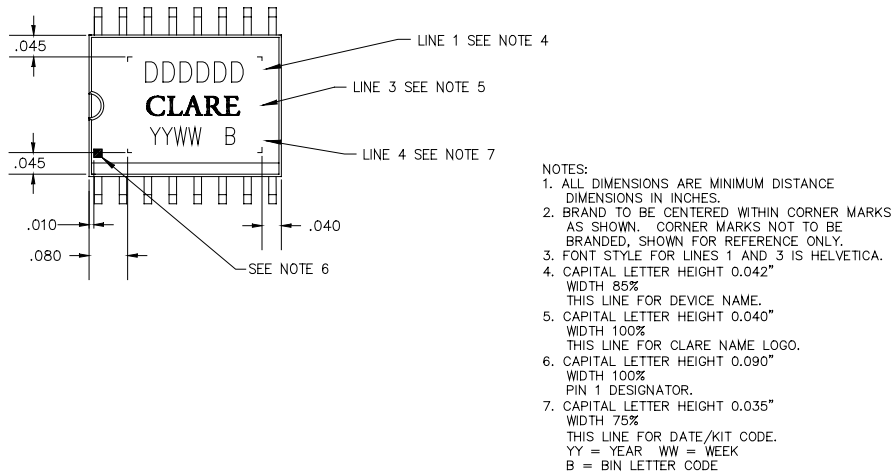
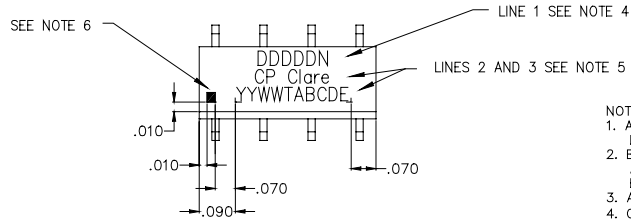


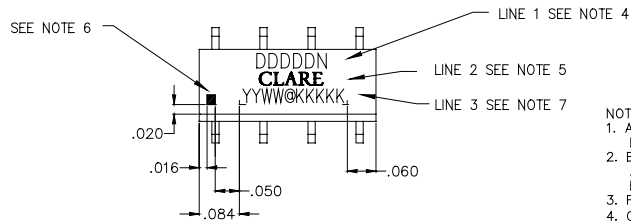
Figure 28

PCN1001 Appendix A



- NOTES:
1. ALL DIMENSIONS ARE MINIMUM DISTANCE DIMENSIONS IN INCHES.
 2. BRAND TO BE CENTERED WITHIN CORNER MARKS AS SHOWN. CORNER MARKS ARE NOT TO BE BRANDED, SHOWN FOR REFERENCE ONLY.
 3. ALL FONTS ARE IN HELVETICA REGULAR.
 4. CAPITAL LETTER HEIGHT 0.030"
WIDTH 85%
THIS LINE FOR DEVICE NAME.
 5. CAPITAL LETTER HEIGHT 0.0280"
WIDTH 85%
THIS LINE FOR COMPANY NAME.
 6. CAPITAL LETTER HEIGHT 0.090"
WIDTH 100%
 7. DDDDDN = DEVICE
YY=YEAR
WW=WEEK
TABCDE=KIT NO.

Figure 29



- NOTES:
1. ALL DIMENSIONS ARE MINIMUM DISTANCE DIMENSIONS IN INCHES.
 2. BRAND TO BE CENTERED WITHIN CORNER MARKS AS SHOWN. CORNER MARKS ARE NOT TO BE BRANDED, SHOWN FOR REFERENCE ONLY.
 3. FONT STYLE FOR LINES 1 AND 3 IS HELVETICA.
 4. CAPITAL LETTER HEIGHT 0.030"
WIDTH 85%
THIS LINE FOR DEVICE NAME.
 5. CAPITAL LETTER HEIGHT 0.0280"
WIDTH 100%
THIS LINE FOR CLARE NAME LOGO.
 6. CAPITAL LETTER HEIGHT 0.090"
WIDTH 100%
PIN 1 DESIGNATOR.
 7. CAPITAL LETTER HEIGHT 0.028"
WIDTH 75%
THIS LINE FOR DATE/KIT CODE.
YY=YEAR WW=WEEK
@=ASSEMBLY LOCATION CODE LETTER
KKKK=KIT CODE

Figure 30