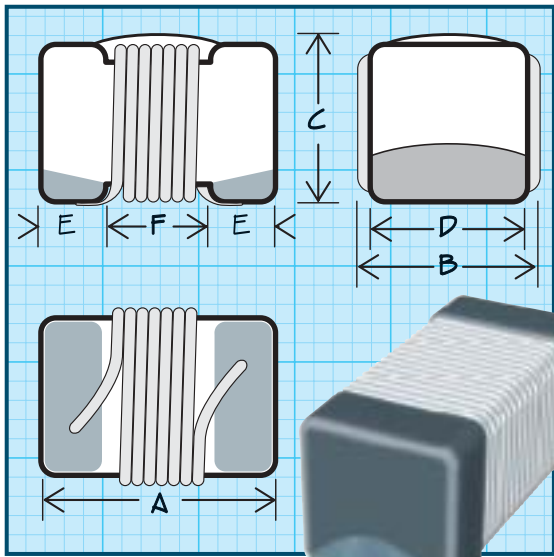


Series 0402 Open Construction Wirewound Surface Mount Inductors



Physical Parameters

	Inches	Milimeters
A	0.042 Max.	1.08 Max.
B	0.024 Max.	0.60 Max.
C	0.027 Max.	0.68 Max.
D	0.020 (Ref. Only)	0.51 (Ref. Only)
E	0.009 (Ref. Only)	0.23 (Ref. Only)
F	0.022 (Ref. Only)	0.56 (Ref. Only)
G	0.026	0.66
H	0.014	0.36
I	0.018	0.46

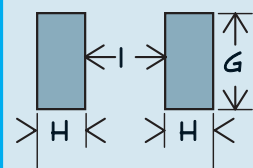
Operating Temperature Range -40°C to +125°C

Standard Termination 90/10 Solder;
optional Gold Termination is available specify by
suffixing the part number with the letter G

Inductance and Q tested on HP4291A using
HP16193A test fixture

Packaging Tape & reel (8mm): 7" reel,
4000 pieces max. Custom reel available.

LAND PATTERN DIMENSIONS



PART NUMBER	INDUCTANCE (nH) ±10%	Q MINIMUM	INDUCTANCE & Q TEST FREQUENCY (MHz)	SRF MINIMUM (MHz)	DC RESISTANCE MAXIMUM (OHMS)	CURRENT RATING MAXIMUM (mA)
SERIES 0402 CERAMIC CORE						
0402-1N0K	1.0	16	250	6000	0.049	1360
0402-2N0K	2.0	18	250	6000	0.065	1040
0402-2N2K	2.2	19	250	6000	0.070	960
0402-3N3K	3.3	19	250	6000	0.070	840
0402-3N6K	3.6	19	250	6000	0.070	840
0402-3N9K	3.9	19	250	5800	0.070	840
0402-5N1K	5.1	20	250	5800	0.082	800
0402-5N6K	5.6	20	250	5800	0.082	760
0402-6N2K	6.2	20	250	5800	0.082	760
0402-7N5K	7.5	22	250	5800	0.095	680
0402-8N2K	8.2	22	250	4400	0.100	680
0402-9N0K	9.0	22	250	4160	0.120	680
0402-10NK	10	22	250	3900	0.150	680
0402-11NK	11	24	250	3680	0.150	640
0402-12NK	12	24	250	3600	0.150	640
0402-15NK	15	24	250	3280	0.160	560
0402-19NK	19	24	250	3040	0.200	480
0402-23NK	23	24	250	2720	0.214	400
0402-27NK	27	24	250	2480	0.290	400
0402-36NK	36	24	250	2320	0.400	320
0402-40NK	40	24	250	2240	0.430	320