

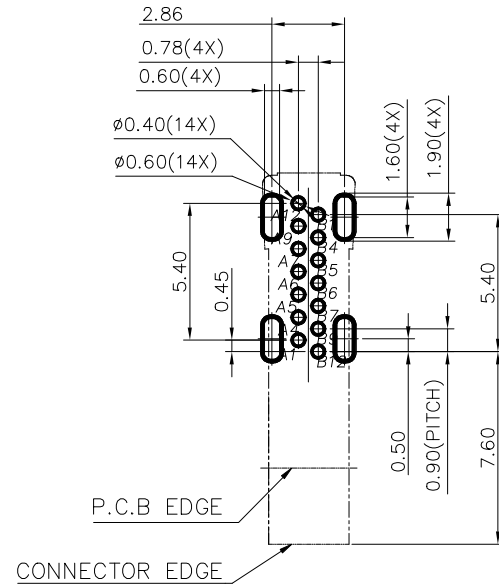
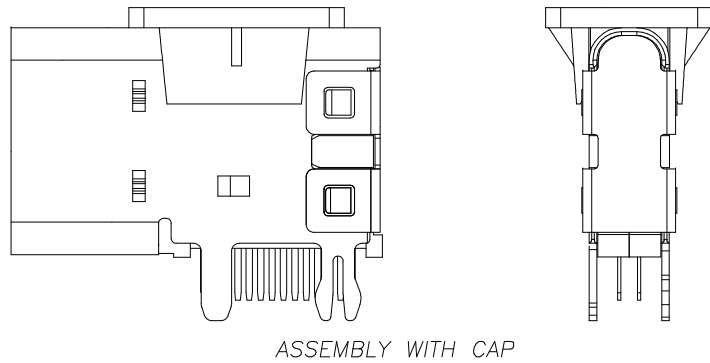
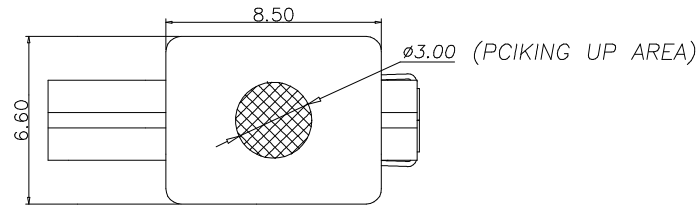
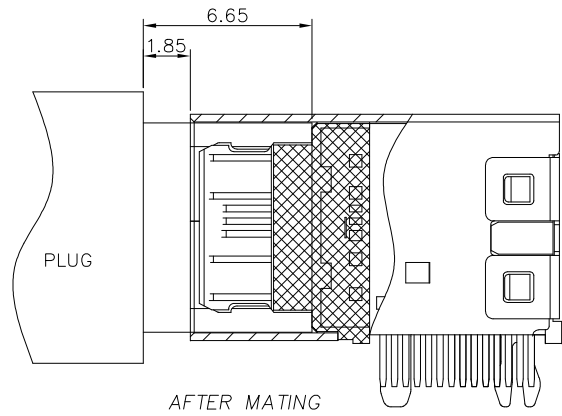
NOTE:

- 1.MATERIAL SPECIFICATION:
 - 1-1.HOUSING: HIGH TEMPERATURE THERMAL PLASTIC, UL94 V-0.
 - 1-2.CONTACTS: COPPER ALLOY
 - 1-3.MID PLATE: STAINLESS STEEL
 - 1-4.FRONT SHELL: STAINLESS STEEL
 - 1-5.COVER: STAINLESS STEEL
- 2.PLATING SPECIFICATION:
 - 2-1.CONTACTS:
 - Ni 50u" MIN. UNDER PLATED OVER ALL.
 - Au PLATED ON THE CONTACT AREA OF CONTACT.
 - (GOLD PLATING THICKNESS FOLLOW THE P/N)
 - GOLD FLASH ON THE SOLDER AREA
 - 2-2.FRONT SHELL
 - Ni 30u" MIN. UNDER PLATED OVER ALL.
 - 2-3.MIDDLE PLATE & COVER:
 - CLEAR ONLY
- 3.MECHANICAL PERFORMANCE,
 - 3-1.INSERTION FORCE: 0.5~2.0kgf.
 - 3-2.REMOVAL FORCE: 0.8kgf~2.0kgf.
 - 3-3.DURABILITY: 10000 CYCLES.
- 4.ELECTRICAL PERFORMANCE,
 - 4-1. CURRENT RATING: 5.0A
 - VOLTAGE RATING: 5.0V
 - 4-2. LLCR:
 - VBUS & GND PINS AND OTHER PINS: 40mΩ/PIN MAX.
 - SHIELD: 50mΩ/MAX.
 - LLCR MAX. CHANGE OF ALL PINS: 10mΩ
 - 4-3.INSULATION RESISTANCE: 100MΩ MIN
 - 4-4.DIELECTRIC WITHSTAND VOLTAGE,AC 100V FOR 1 MINUTE.
5. ENVIRONMENTAL PERFORMANCE:
 - OPERATING TEMPERATURE: -25°C~+85°C.
6. THE HOUSING WILL WITHSTAND EXPOSURE TO 260°C PEAK TEMPERATURE FOR 10 SECONDS IN A WAVE SOLDER OR REFLOW APPLICATION

PART NUMBER SCHEME:
10151348-000 X X LF

- | | |
|-----------------|-----------------------|
| CONTACT PLATING | PACKAGING |
| 1. GOLD FLASH | 1. TRAY |
| 2. 30u" Au | 2. TAPE REEL WITH CAP |
| 3. 15u" Au | |

| | | | | | | | | | | | |
|-----|-------------|-----|-------------|-------------|----------|-----------|------------|----------------|---------------------------------------|---------|------------|
| A1 | GND | B12 | GND | mat'l. code | surface | tolerance | projection | product family | | | |
| A4 | VBUS | B9 | VBUS | ISO 1302 | ISO 406 | ISO 1101 | HPL 511 | | | | |
| A5 | CC1 | B7 | DN2 | ltr | ecn | no | dr | date | tolerances unless otherwise specified | title | |
| A6 | DP1 | B6 | DP2 | A | | | | | angles | linear | mm |
| A7 | DN1 | B5 | CC2 | | | | | | 0°±2' | .0±.35 | scale 1:1 |
| A9 | VBUS | B4 | VBUS | | | | | | dr | Y-Y Bao | 2021/04/30 |
| A12 | GND | B1 | GND | | | | | | engr | Y-Y Bao | 2021/04/30 |
| | | | | | | | | | chr | LQ Lei | 2021/04/30 |
| | | | | | | | | | appd | Tim Yao | 2021/04/30 |
| PIN | SIGNAL NAME | PIN | SIGNAL NAME | sheet | revision | | | | | | |
| | | | | index | sheet | | | | | | |

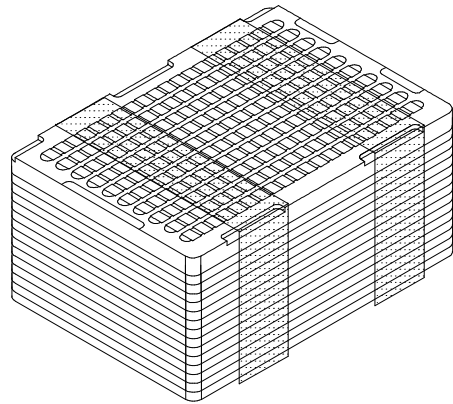


RECOMMENDED PCB LAYOUT(TOP VIEW)
 THICKNESS 1.6±0.10MM;DEFAULT TOLERANCE:±0.05

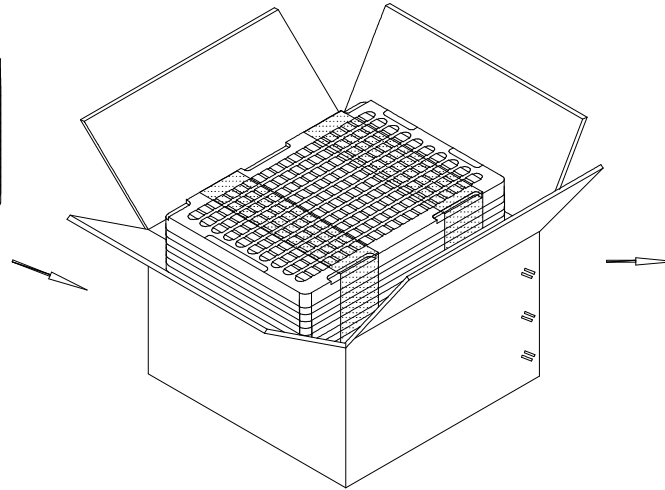
Amphenol FCI

© 2016 AFCI

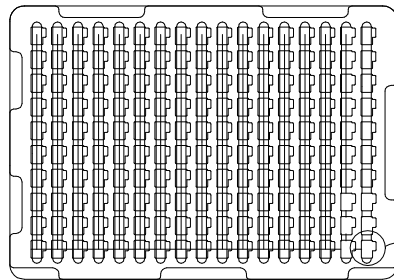
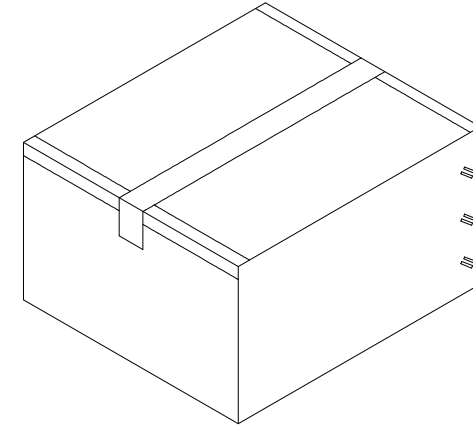
| | | | | | |
|-------------|----------------|------------|------------------|---------------------------------------|---|
| mat'l. code | | surface | tolerance | projection | product family |
| | | ISO 1302 ✓ | ISO 406 ISO 1101 | | HPL 511 |
| ltr | ecn no | dr | date | tolerances unless otherwise specified | title |
| A | | | | .0±.35 .00±.20 .000±.15 | USB TYPE C FEMALE R/A UP RIGHT TH TYPE |
| | | | | linear | mm |
| | | | | 0°±2' | scale 1:1 |
| | | dr | Y-Y Bao | 2021/04/30 | dwg no 10151348 sheet 2 of 4 size A3 |
| | | engr | Y-Y Bao | 2021/04/30 | |
| | | chr | LQ Lei | 2021/04/30 | |
| | | appd | Tim Yao | 2021/04/30 | |
| sheet index | revision sheet | | | | type Product Customer Drawing |



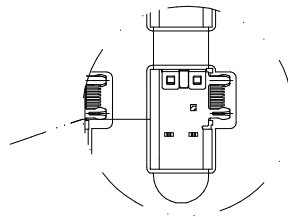
EACH BUNDLE WITH 40 LAYERS



EACH CARTON WITH 6800 PCS PRODUCTS



170 PCS/TRAY



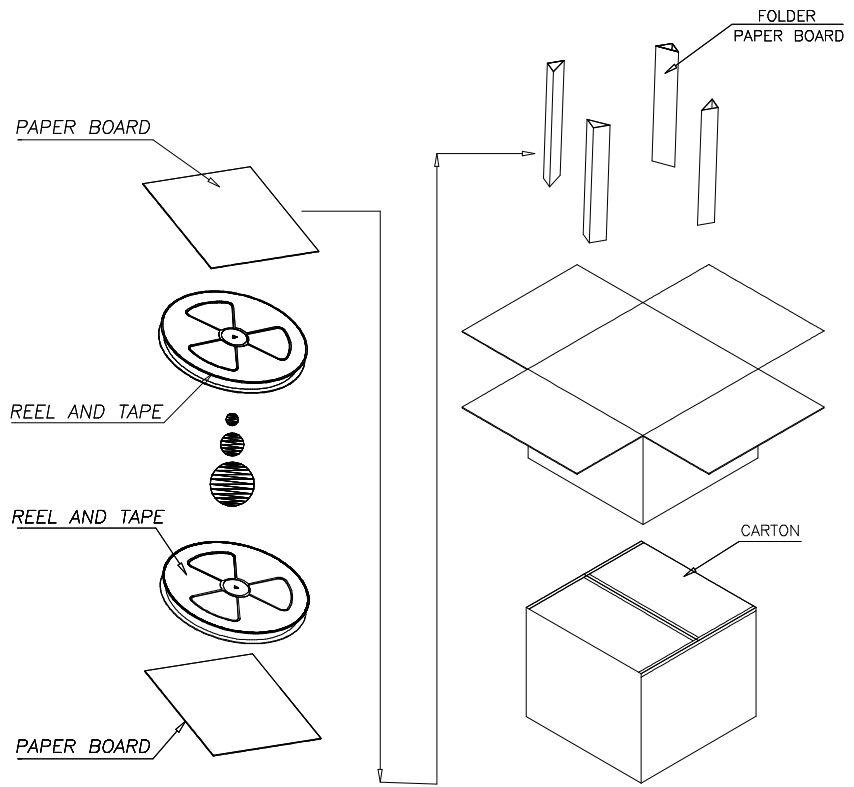
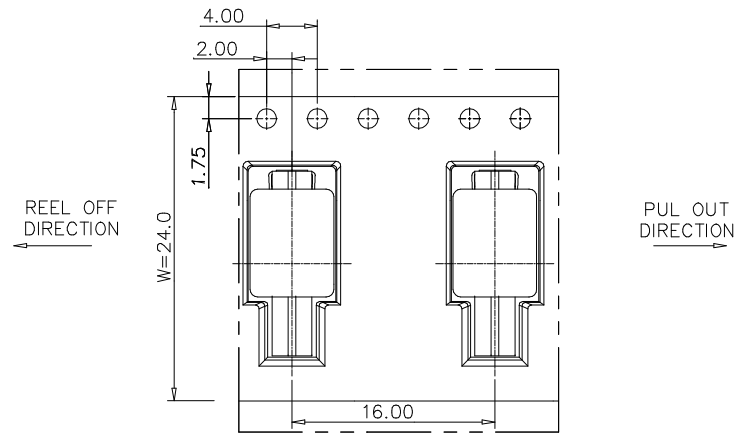
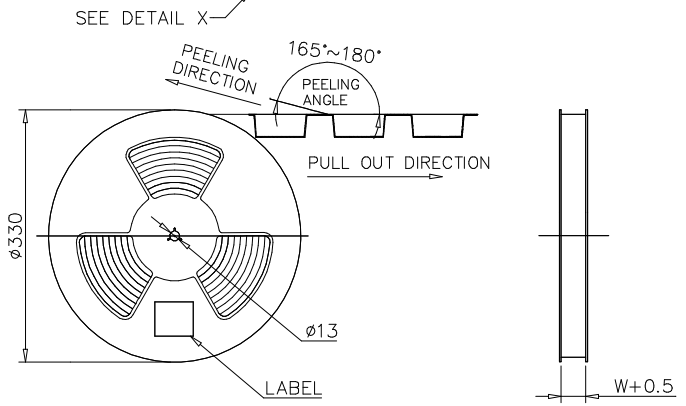
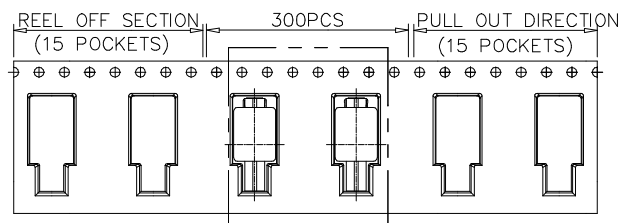
| | | |
|-----------------|------|--------|
| | TRAY | CARTON |
| CONNECTOR (PCS) | 170 | 6800 |

| | | | | | | |
|---------------------------------------|--------|----------------|-----------|--------------------------|----------------|--|
| mat'l. code | | surface | tolerance | projection | product family | |
| ISO 1302 | | ISO 406 | ISO 1101 | HPL 511 | | |
| ltr | ecn no | dr | date | title | | |
| A | | | | USB TYPE C FEMALE | | |
| tolerances unless otherwise specified | | | | R/A UP RIGHT TH TYPE | | |
| angles | | linear | | dwg no | | |
| 0°±2' | | .00±.20 | | sheet 3 of 4 | | |
| | | .000±.15 | | size | | |
| | | scale 1:1 | | A3 | | |
| | | dr | Y-Y Bao | 2021/04/30 | | |
| | | engr | Y-Y Bao | 2021/04/30 | | |
| | | chr | LQ Lei | 2021/04/30 | | |
| | | appd | Tim Yao | 2021/04/30 | | |
| sheet index | | revision sheet | | type | | |
| | | | | Product Customer Drawing | | |



Amphenol FCI

© 2016 AFCI



Amphenol FCI

© 2016 AFCI

| | | |
|-----------------|------|--------|
| | REEL | CARTON |
| CONNECTOR (PCS) | 300 | 3000 |

| | | | | | | |
|-------------|----------|------------|------------------|---------------------------------------|---|--|
| mat'l. code | | surface | tolerance | projection | product family | |
| | | ISO 1302 ✓ | ISO 406 ISO 1101 | | HPL 511 | |
| ltr | ecn no | dr | date | tolerances unless otherwise specified | title | |
| A | | | | angles linear | USB TYPE C FEMALE R/A UP RIGHT TH TYPE | |
| | | | | 0°±2' | mm | |
| | | | | .0±.35 | scale 1:1 | |
| | | | | .00±.20 | | |
| | | | | .000±.15 | | |
| | | dr | Y-Y Bao | 2021/04/30 | dwg no sheet 4 of 4 size | |
| | | engr | Y-Y Bao | 2021/04/30 | 10151348 A3 | |
| | | chr | LQ Lei | 2021/04/30 | type Product Customer Drawing | |
| | | appd | Tim Yao | 2021/04/30 | | |
| sheet | revision | | | | | |
| index | sheet | | | | | |